



BUILT-IN



LIFE TASTES BETTER OUTDOORS



WE'RE FAMOUS FOR OUR BBQS. ARE YOU?

Life doesn't get much better than a beautifully cooked barbecue shared with family and friends. When you buy a BeefEater you're well on your way to being BBQ famous for flavour and taste. For 35 years BeefEater has been perfecting the barbecue to bring you the features, style, durability and functions to help you cook the perfect meal every time. Be BBQ famous with a Beefeater.

BUILT-IN

THE ULTIMATE IN OUTDOOR ENTERTAINING

A built-in BBQ will change the way you live. Anything you can cook inside, you can now cook outside, even a batch of brownies. BeefEater's built in range will help you create the outdoor space of your dreams. For entertaining and everyday it will seamlessly fit into any home. If exceptional outdoor entertaining and living is what you're looking for, look no further.





POWERFUL

KEEP ALL THE FLAVOUR SEALED IN

With our powerful and durable cast stainless or cast iron burners

CONVENIENT

CLEAN UP WITH EASE

For an easy, fast clean up, excess oil is drawn away into a convenient disposable tray.

QUALITY

EVENLY COOKED FOOD WITH CAST IRON

Evenly cooked food when you cook on high quality cast iron.

RELIABLE

READY, START, COOK

Start cooking quickly and easily with the Quartz one-touch start.



BSH158SA

PROLINE

6 BURNER INTEGRATED BBQ WITH HOOD

With its distinctive linear design, the Beefeater Signature ProLine™ barbecue range is sure to impress. Sleek lines, cutting-edge style and a top-class range of innovative features have created the perfect addition to your outdoor entertaining area.

The state-of-the-art cooking surface features six powerful burners to ensure precise heat distribution and amazing results every time. Plus you'll enjoy peace of mind knowing that your food will always be cooked evenly and just the way you like it.

Enjoy fast heat up, superior heat retention and consistent cooking results with the cast iron grill & hotplate. The cooktop is easy to clean, so you can keep your BBQ looking its best for many years to come.

Designed to withstand our tough Australian climate, all stainless steel

components are commercial grade. So you'll enjoy great looks and a superior performance for years to come.

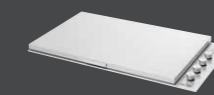
Healthier cooking and an easy to clean BBQ are yours thanks to the superior oil management system. Oil and water run into easily removable containers at the front of the BBQ, whilst the unique angled surface drains oil away from the food.

Designed for form and function, the ergonomic controls complement any suitable bench or workspace. Each control features power level indicators to eliminate guesswork and ensure perfect results every time.

The optional integrated side burner is designed to sit alongside the integrated BBQ. With uncompromised power & lashings of style, you can easily cater to any number of guests & their tastes

PROLINE

Also available in



6 Burner Integrated
BBQ with Lid

BSH158SA



side burner

BSW318SA



BBF7655SA

7000 SERIES PREMIUM

5 BURNER BUILT-IN BBQ

- Durable & efficient 17MJ cast stainless burners and stainless-steel vaporisers
- Spacious, customisable & durable cast iron hotplate and split grills
- Expand your cooking experience with built in 11MJ rear burner
- Keep cooking after dark with lights on the hood and control dials
- Flame failure prevents dangerous gas build ups if the flame goes out or the burners fails to light
- Double layered stainless steel hood with glass viewing window & integrated temperature gauge
- Raised sides on the hotplate prevents fat from overspilling, drawing it instead to the front opening & into the replaceable foil catchment tin
- Start cooking quickly and easily with the quartz start ignition system
- The durable stainless-steel firebox has an exterior seam weld, preventing fat leakage

7000 SERIES

Also available in



4 burner

BBF7645SA



BBG7650SA

7000 SERIES CLASSIC

5 BURNER BUILT-IN BBQ

- Durable & efficient 17MJ cast iron burners and stainless-steel vaporisers
- Spacious, customisable & durable cast iron hotplate and split grills
- Double layered stainless steel hood with glass viewing window & integrated temperature gauge
- Raised sides on the hotplate prevents fat from overspilling, drawing it instead to the front opening & into the replaceable foil catchment tin
- Start cooking quickly and easily with the quartz start ignition system
- The durable stainless-steel firebox has an exterior seam weld, preventing fat leakage

7000 SERIES

Also available in



4 burner
BBG7640SA



BS19952

SIGNATURE 3000E

5 BURNER BUILT-IN BBQ

- Powerful 19MJ cast iron burners with stainless steel vaporisers
- Made from porcelain enamel coated cast iron, one of the toughest coatings available, this rust resistant cooktop is made to last
- Experience cooking perfection in easy to clean vitreous enamel. The roasting hood also includes an on board temperature gauge
- Start cooking quickly and easily with the quartz start ignition system
- Fully welded firebox prevents grease and fat buildup

SIGNATURE 3000E

Also available in



4 burner
BS19942



BDB1550GA

1500 SERIES

5 BURNER BUILT-IN BBQ

- Seamless and stylish cover panel for the control dials; close it when the BBQ is not in use for a seamless look & flip it down for a handy little shelf when you're cooking
- Seal in the flavour with our durable and powerful 15MJ cast iron burners
- Cook more delicious food on our spacious cast iron cooktop
- Double layer roasting hood with temperature gauge captures all the flavour. The hood rolls away when open to allow the BBQ to sit snugly against the wall
- For an easy, fast clean up, excess oil is drawn away into a bottom drip tray
- Start cooking quickly and easily with the quartz one press start
- Built to withstand high heat over time the burner box is fully welded
- Uninterrupted cooking with a roll away warming tray

1500 SERIES

Also available in



4 burner
BDB1540GA



3 burner
BDB1530GA



BBG165OSA

1600 SERIES

5 BURNER BUILT-IN BBQ

- Pre-assembled BBQ firebox & hood with an easy to assemble trolley
- Durable, flexible & efficient 17MJ cast iron burners and stainless-steel vaporisers
- Spacious, customisable & durable cast iron hotplate and grills, coated in commercial grade porcelain enamel
- Double layered stainless steel hood with large viewing window, on board temperature gauge & warming rack
- Raised sides on the hotplate prevents fat & oil from overspilling, drawing it instead to the plate opening catchment tray below
- Start cooking at the push of the button with the quartz start ignition system
- A durable stainless steel firebox that is fully seamed welded throughout, preventing rust from grease build up

1600 SERIES

Also available in



4 burner
BBG164OSA



BBG165ODA

1600 SERIES

5 BURNER BUILT-IN BBQ

- Pre assembled BBQ firebox & hood with an easy to assemble trolley
- Durable, flexible & efficient 17MJ cast iron burners and stainless-steel vaporisers
- Spacious, customisable & durable cast iron hotplate and grills, coated in commercial grade porcelain enamel
- Double layered stainless steel hood with large viewing window, on board temperature gauge & warming rack
- Raised sides on the hotplate prevents fat & oil from overspilling, drawing it instead to the plate opening catchment tray below
- Start cooking at the push of the button with the quartz start ignition system
- A durable stainless steel firebox that is fully seamed welded throughout, preventing rust from grease build up

1600 SERIES

Also available in



4 burner
BBG164ODA



BBG1250SB

1200 SERIES

5 BURNER BUILT-IN BBQ

- Pre-assembled BBQ firebox & hood with an easy to assemble trolley
- Durable, flexible & efficient 15MJ cast iron burners and stainless-steel vaporisers
- Spacious, customisable & durable cast iron hotplate and grills, coated in commercial grade porcelain enamel
- Double layered vitreous enamel hood with large viewing window, on board temperature gauge & warming rack
- Raised sides on the hotplate prevents fat & oil from overspilling, drawing it instead to the plate opening catchment tray below
- Start cooking at the push of the button with the quartz start ignition system
- A durable vitreous enamel firebox that is fully seamed welded throughout, preventing rust from grease build up

1200 SERIES

Also available in



4 burner
BBG1240SB



BBG1250BB

1200 SERIES

5 BURNER BUILT-IN BBQ

- Pre assembled BBQ firebox & hood with an easy to assemble trolley
- Durable, flexible & efficient 15MJ cast iron burners and stainless-steel vaporisers
- Spacious, customisable & durable cast iron hotplate and grills, coated in commercial grade porcelain enamel
- Double layered vitreous enamel hood with large viewing window, on board temperature gauge & warming rack
- Raised sides on the hotplate prevents fat & oil from overspilling, drawing it instead to the plate opening catchment tray below
- Start cooking at the push of the button with the quartz start ignition system
- A durable vitreous enamel firebox that is fully seamed welded throughout, preventing rust from grease build up

1200 SERIES

Also available in



4 burner
BBG1240BB

ACCESSORIES

THE RIGHT TOOLS CAN MAKE ALL THE DIFFERENCE

When you choose our high-quality accessories for your BeefEater barbecue, you'll enjoy easy, effortless entertaining every time.

To see the full range of BeefEater Accessories including trim kits, covers, conversion kits and more visit shop.beefeaterbbq.com.au or see your BeefEater specialist retailer.

UNIVERSAL ACCESSORIES



BD94941
Brass brush



BD94969
Multi functional barbecue spatula



BB94982
Digital thermometer



BB94935
Pizza stone and spatula

MODEL SPECIFIC ACCESSORIES



Covers



Gas Conversion kits and hoses



Heat shields

7000 SERIES (PREMIUM)

| Model | Burner | Covers | Gas Conversion kits and hoses | Heat shields |
|-----------|----------|---------|-------------------------------|-----------------|
| BBF7655SA | 5 Burner | BACB155 | BNGB001 | BA55HS, BA10RHS |
| BBF7645SA | 4 Burner | BACB154 | BNGB001 | BA55HS, BA10RHS |

7000 SERIES (CLASSIC)

| Model | Burner | Covers | Gas Conversion kits and hoses | Heat shields |
|-----------|----------|---------|-------------------------------|-----------------|
| BBG7650SA | 5 Burner | BACB155 | BNGB001 | BA55HS, BA10RHS |
| BBG7640SA | 4 Burner | BACB154 | BNGB001 | BA55HS, BA10RHS |

3000E SERIES

| Model | Burner | Covers | Gas Conversion kits and hoses | Heat shields |
|---------|----------|---------|-------------------------------|--------------|
| BS19952 | 5 Burner | BS94495 | BS95167 | BA10RHS |
| BS19942 | 4 Burner | BS94494 | BS95167 | BA10RHS |

SIGNATURE PROLINE

| Model | Burner | Covers | Gas Conversion kits and hoses | Heat shields |
|----------|--------------------|----------|-------------------------------|--------------|
| BSH158SA | 6 Burner with Hood | BACS200A | ACC164 | BA10RHS |
| BSL158SA | 6 Burner with Lid | BACS201A | ACC164 | BA10RHS |
| BSW318SA | Side Burner | BACS202A | ACC164 | BA10RHS |

1600 SERIES

| Model | Burner | Covers | Gas Conversion kits and hoses | Heat shields |
|-----------|----------|---------|-------------------------------|-----------------|
| BBG1650DA | 5 Burner | BACB155 | BNGB001, BA1615HS | BA70HS, BA10RHS |
| BBG1640DA | 4 Burner | BACB154 | BNGB001, BA1615HS | BA70HS, BA10RHS |
| BBG1650SA | 5 Burner | BACB155 | BNGB001, BA1615HS | BA70HS, BA10RHS |
| BBG1640SA | 4 Burner | BACB154 | BNGB001, BA1615HS | BA70HS, BA10RHS |

1500 SERIES

| Model | Burner | Covers | Gas Conversion kits and hoses | Heat shields |
|-----------|----------|---------|-------------------------------|--------------|
| BDB1550GA | 5 Burner | BACB155 | BNGB001 | BA70HS |
| BDB1540GA | 4 Burner | BACB154 | BNGB001 | BA70HS |
| BDB1530GA | 3 Burner | BACB153 | BNGB001 | BA70HS |

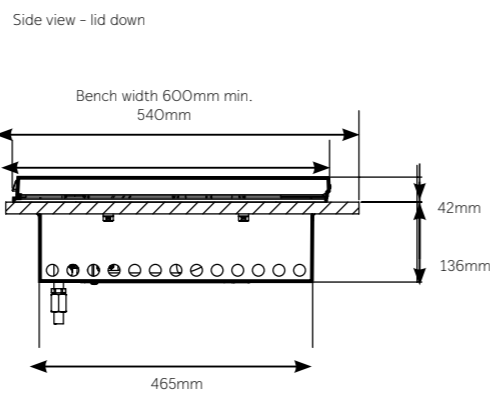
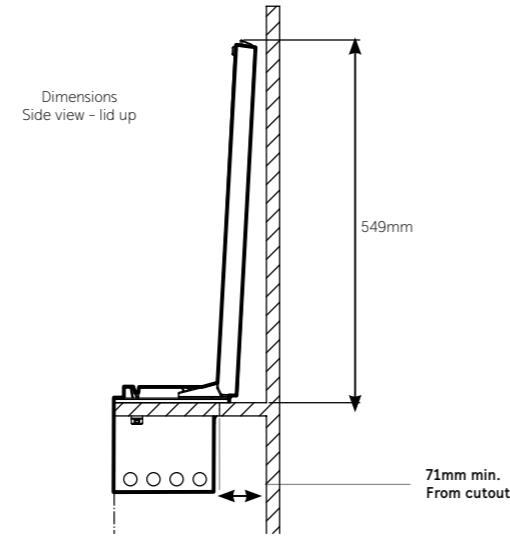
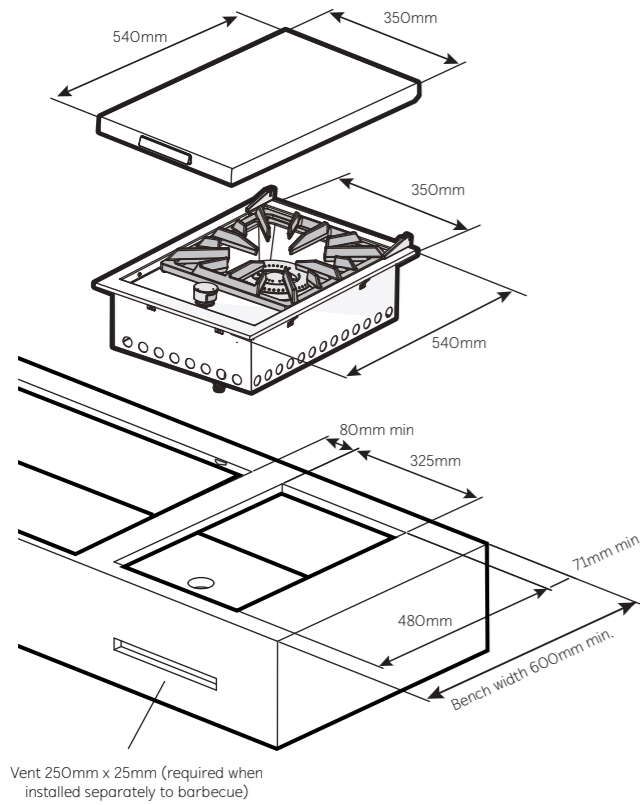
1200 SERIES

| Model | Burner | Covers | Gas Conversion kits and hoses | Heat shields |
|-----------|----------|---------|-------------------------------|------------------|
| BBG1250SB | 5 Burner | BS94495 | BNGB001, BA1615HS | BA12SHS, BA10RHS |
| BBG1240SB | 4 Burner | BS94494 | BNGB001, BA1615HS | BA12SHS, BA10RHS |
| BBG1250BB | 5 Burner | BS94495 | BNGB001, BA1615HS | BA12SHS, BA10RHS |
| BBG1240BB | 4 Burner | BS94494 | BNGB001, BA1615HS | BA12SHS, BA10RHS |

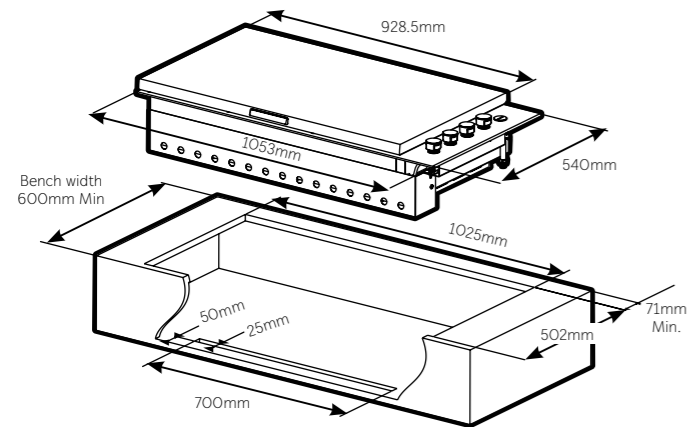
DIMENSIONS

SIGNATURE PROLINE

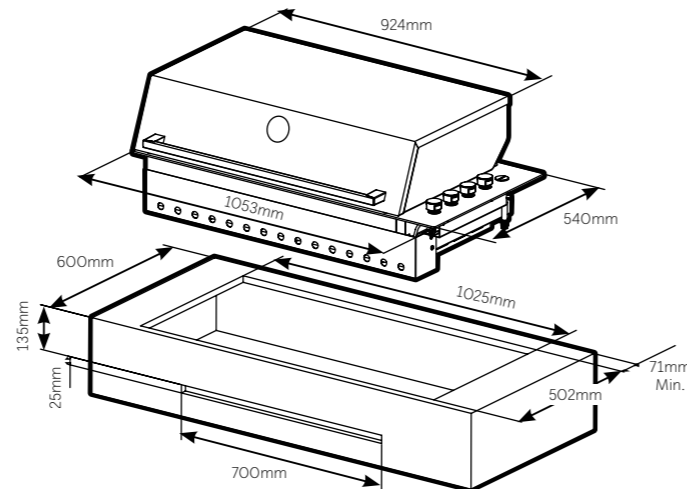
BSW318SA



BSL158SA



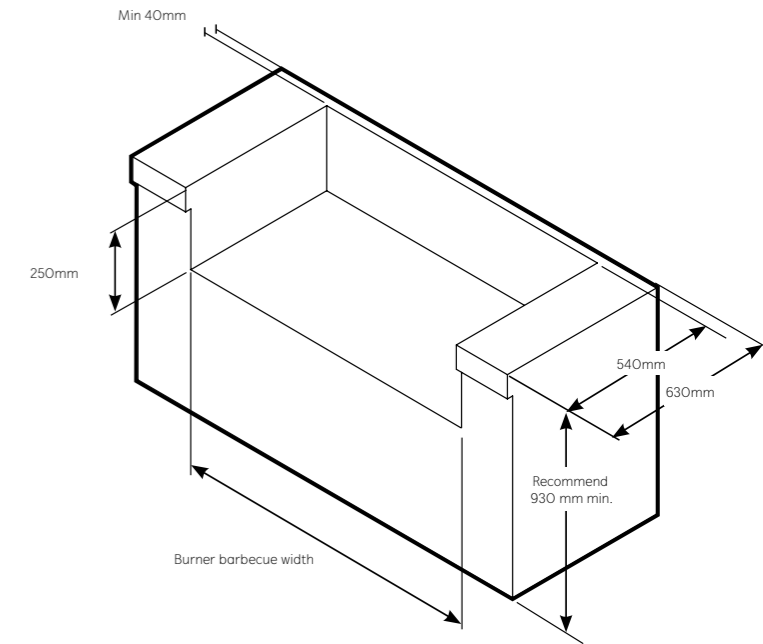
BSH158SA



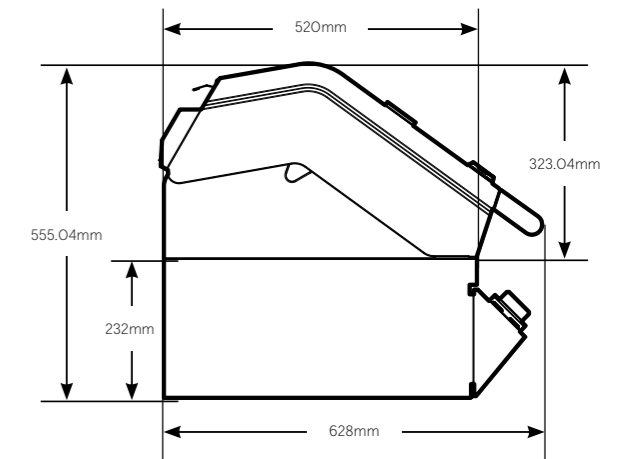
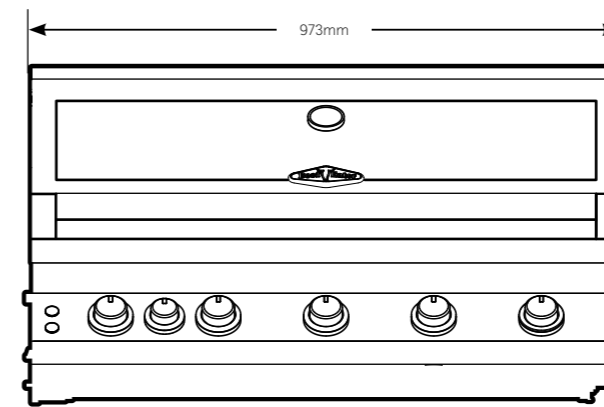
7000 SERIES

For built-in installations: islands, masonry, other non-combustible material structures.

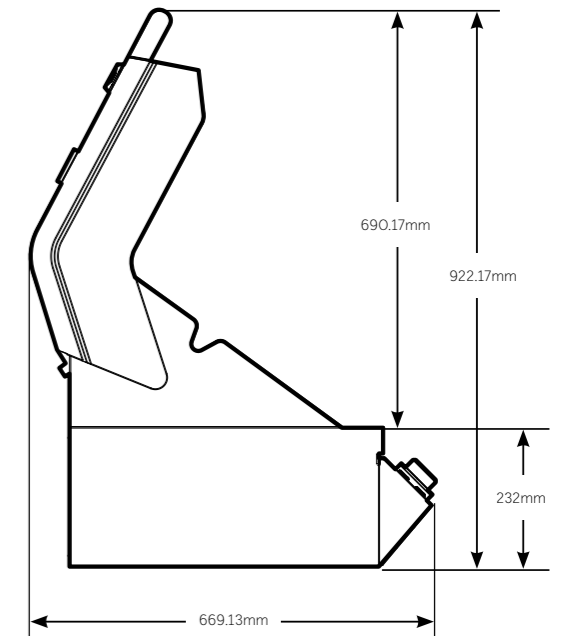
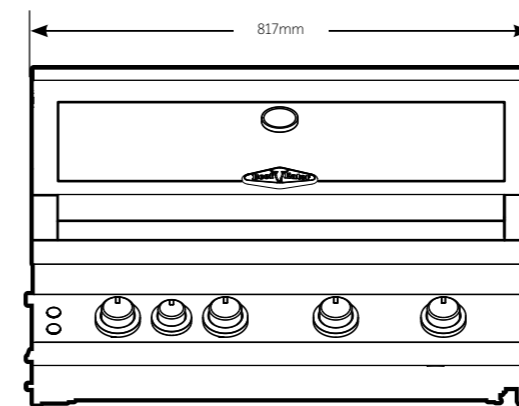
| 7000 BUILT-IN CUT OUT | 4 burner | 5 burner |
|--|----------|----------|
| Width | 828mm | 1006mm |
| Height | 250mm | 250mm |
| Depth (includes 40mm rear ventilation clearance) | 630mm | 630mm |
| Minimum clearance to combustible materials | 450mm | 450mm |



BBF7655SA BBG7650SA



BBF7645SA BBG7640SA



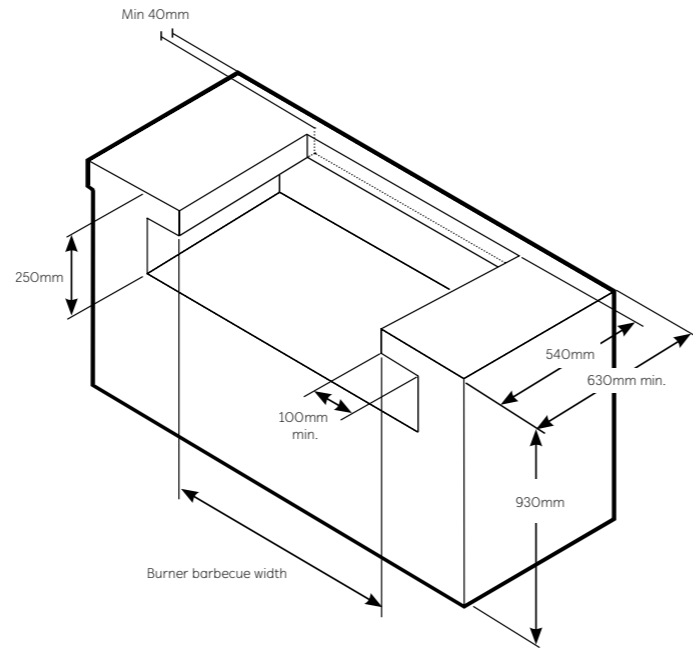
Please note: Dimensions to be used as a guide only. All customers MUST refer to the user manual supplied with the product for detailed installation instructions.

Please note: Dimensions to be used as a guide only. All customers MUST refer to the user manual supplied with the product for detailed installation instructions.

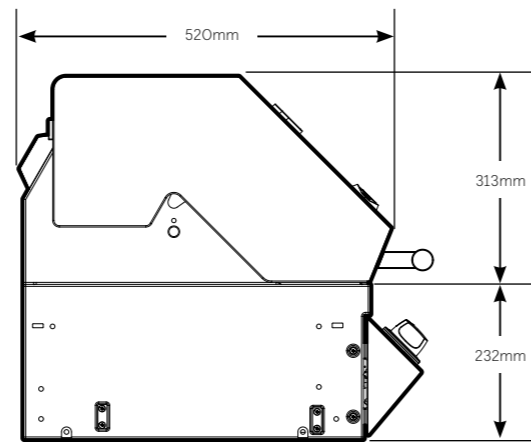
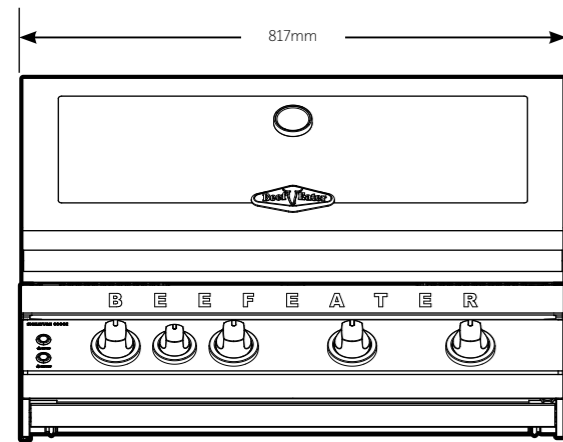
SIGNATURE 3000E BUILT-IN SERIES

For built-in installations: islands, masonry, other non-combustible material structures.

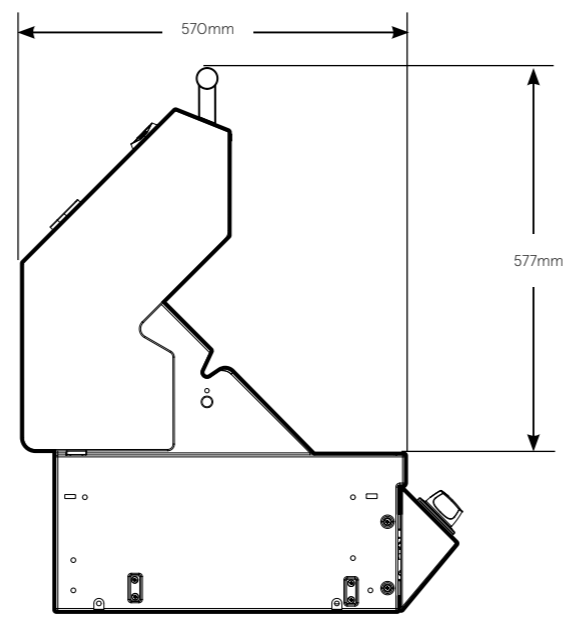
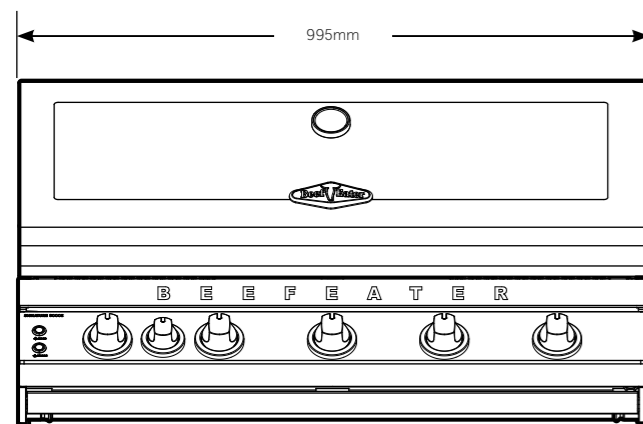
| SIGNATURE 3000E BUILT-IN CUT OUT | 4 burner | 5 burner |
|--|----------|----------|
| Width | 828mm | 1006mm |
| Height | 250mm | 250mm |
| Depth (includes 40mm rear ventilation clearance) | 630mm | 630mm |
| Minimum clearance to combustible materials | 450mm | 450mm |



BS19942



BS19952

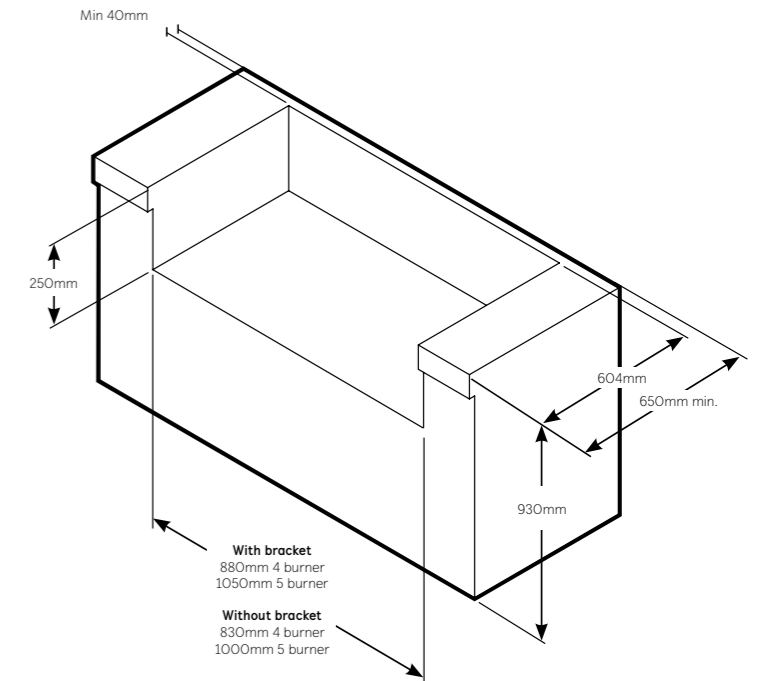


Please note: Dimensions to be used as a guide only. All customers MUST refer to the user manual supplied with the product for detailed installation instructions.

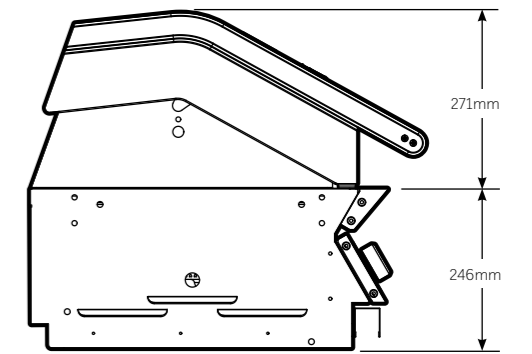
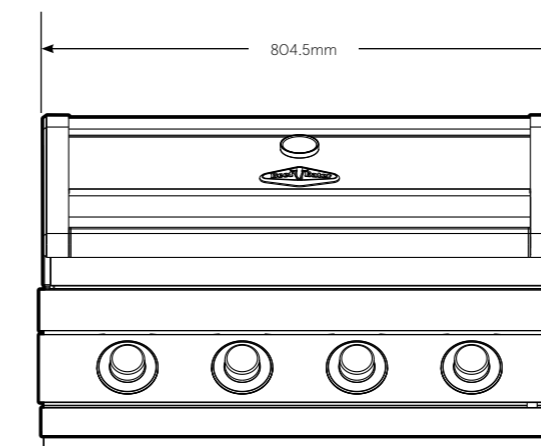
1600 BUILT-IN SERIES

For built-in installations: islands, masonry, other non-combustible material structures.

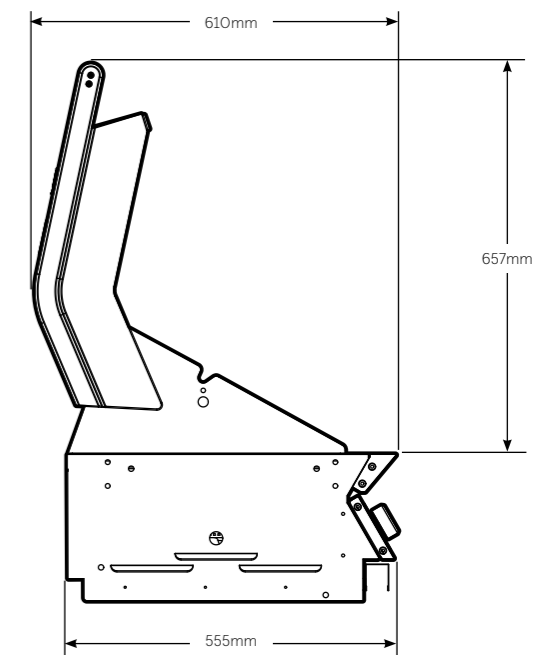
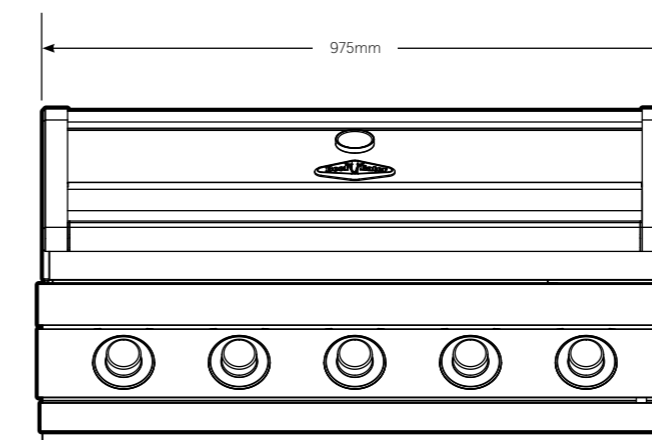
| 1600 BUILT-IN CUT OUT | 4 burner | 5 burner |
|--|----------|----------|
| Width (with Beefeater hanging bracket BA70HS) | 880mm | 1050mm |
| Width (without hanging brackets) | 830mm | 1000mm |
| Height | 250mm | 250mm |
| Depth (includes 40mm rear ventilation clearance) | 650mm | 650mm |
| Minimum clearance to combustible materials | 450mm | 450mm |



BBG1640



BBG1650

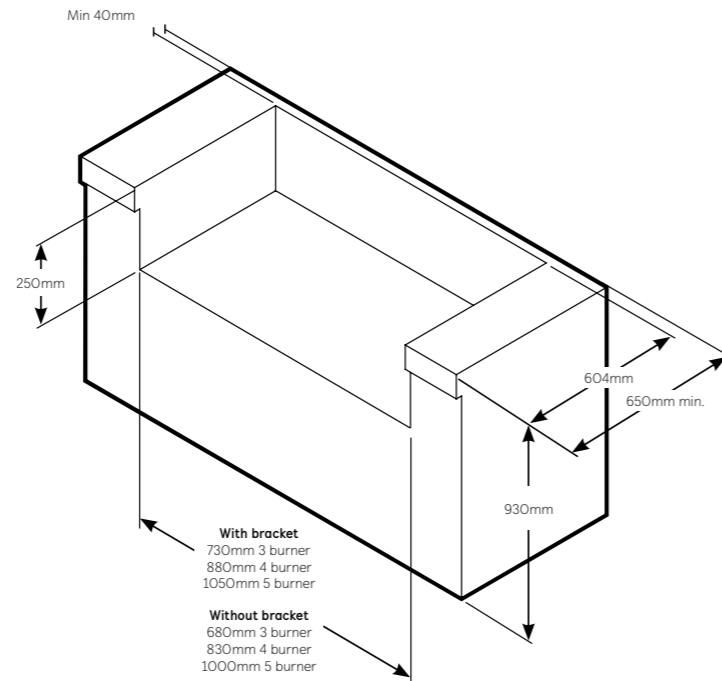


Please note: Dimensions to be used as a guide only. All customers MUST refer to the user manual supplied with the product for detailed installation instructions.

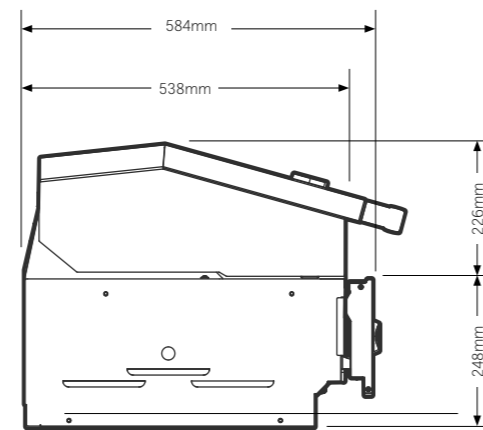
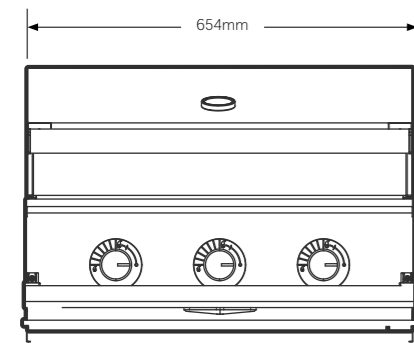
1500 BUILT-IN SERIES

For built-in installations: islands, masonry, other non-combustible material structures.

| 1500 BUILT-IN CUT OUT | 3 burner | 4 burner | 5 burner |
|--|----------|----------|----------|
| Width (with Beefeater hanging bracket BA70HS) | 730mm | 880mm | 1050mm |
| Width (without hanging brackets) | 680mm | 830mm | 1000mm |
| Height | 250mm | 250mm | 250mm |
| Depth (includes 40mm rear ventilation clearance) | 650mm | 650mm | 650mm |
| Minimum clearance to combustible materials | 450mm | 450mm | 450mm |

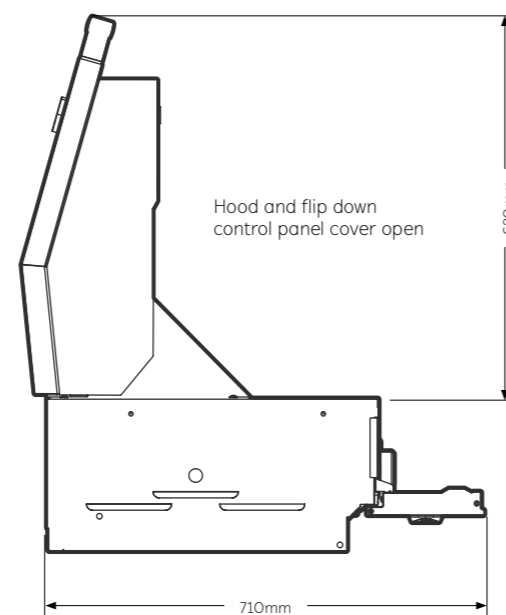
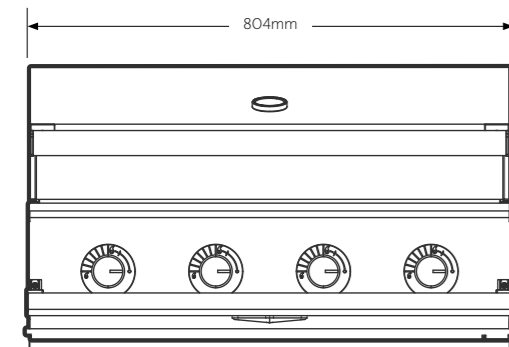


BDB1530GA

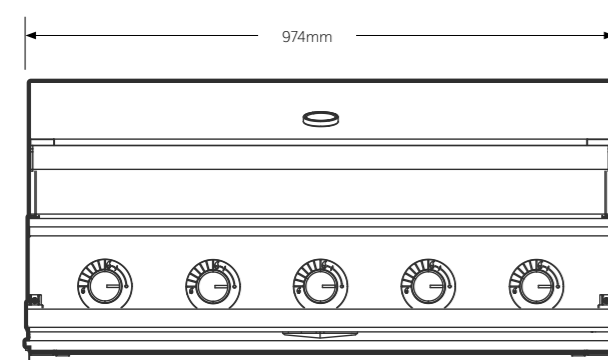


Hood and flip down control panel cover closed

BDB1540GA



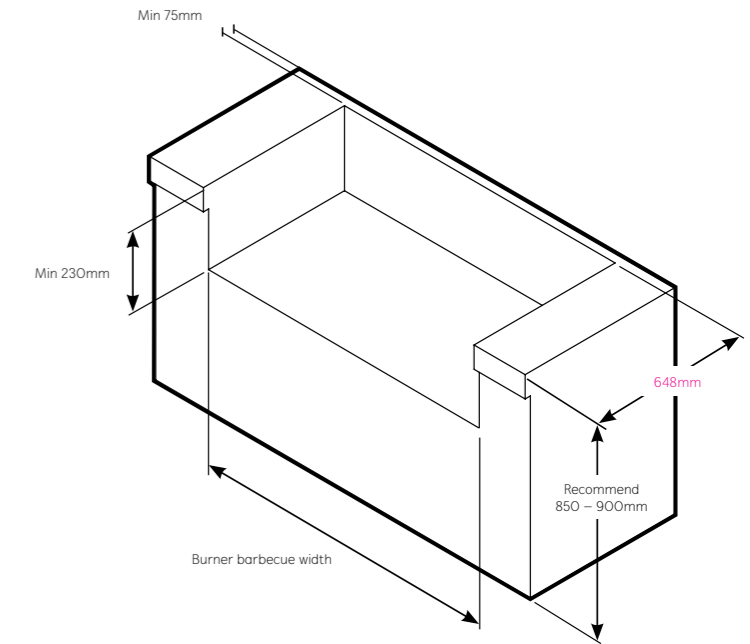
BDB1550GA



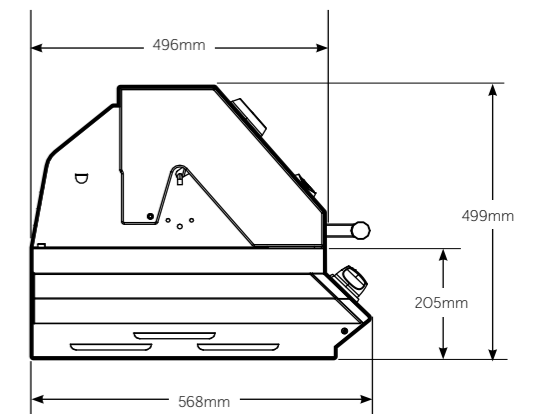
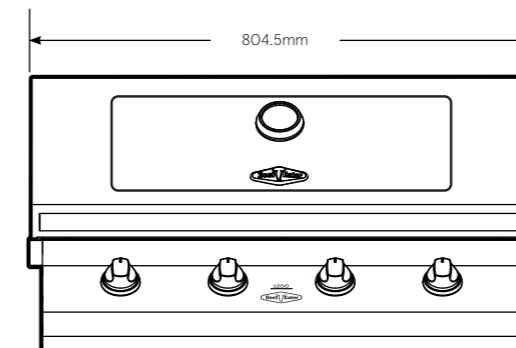
1200 BUILT-IN SERIES

For built-in installations: islands, masonry, other non-combustible material structures.

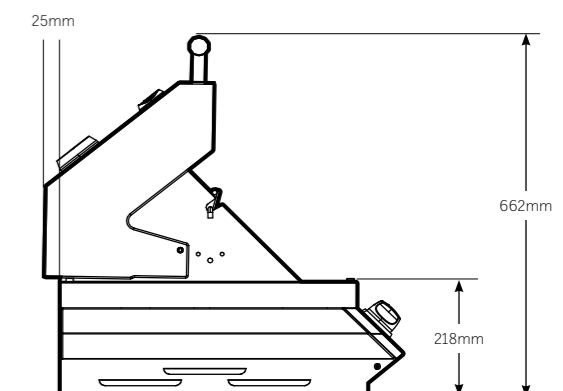
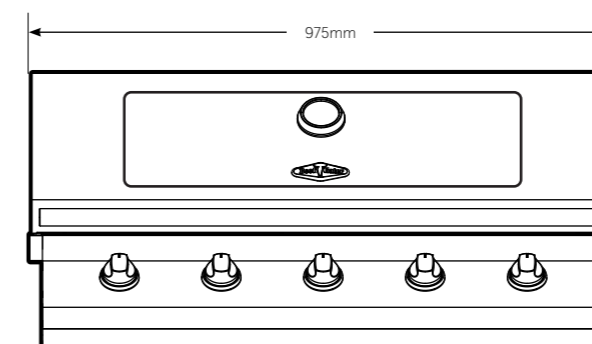
| 1200 BUILT-IN CUT OUT | 4 burner | 5 burner |
|--|----------|----------|
| Width | 825mm | 994mm |
| Height | 230mm | 230mm |
| Depth (includes 20mm rear ventilation clearance) | 540mm | 540mm |
| Clearance at rear | 75mm | 75mm |
| Minimum clearance to combustible materials | 450mm | 450mm |



BBG1240



BBG1250



Please note: Dimensions to be used as a guide only. All customers MUST refer to the user manual supplied with the product for detailed installation instructions.

Please note: Dimensions to be used as a guide only. All customers MUST refer to the user manual supplied with the product for detailed installation instructions.



For more information on all BeefEater products, or for dimension and installation information, call into your retailer, phone or email our customer care team or visit our website:



Customer Care Centre

AUSTRALIA

phone: 1300 307 939

email: customercare@beefeaterbbq.com

web: beefeaterbbq.com

NEW ZEALAND

phone: 0800 436 245

email: customercare@electrolux.co.nz

web: beefeaterbbq.com

LIFE TASTES BETTER OUTDOORS

Not all models available in all stores, please check your local BeefEater retailer.

BeefEater. We are part of the Electrolux Family. To add a touch of professional inspiration to your home, visit electrolux.com.au

Electrolux Home Products Pty Ltd and Electrolux (NZ) Limited (collectively Electrolux) warrants that for domestic applications the Appliances featured in this brochure are free from defects in materials and workmanship for 2 years, and warrants that for featured accessories a period of 12 months, following the date of original purchase and subject to the conditions set out in the warranty card accompanying the product when purchased. This warranty is in addition to the other rights and warranties you may have under the Australian Consumer Law (ACL) and Electrolux will at all times comply with its obligations at law including the ACL. For New Zealand customers Electrolux will at all times comply with its obligations pursuant to law including the Consumer Guarantees Act, the Sale of Goods Act and the Fair Trading Act. Where appliances are purchased in NZ for commercial purposes the Consumer Guarantees Act does not apply.