

Bromic Heating
Information Pack



SMART-HEATING
BROMICHEATING.COM

A member of the Bromic Group

Contents

Platinum Smart-Heat™ Gas	3
Specifications	4
Dimensions	5
Recommended Installation Clearances	5
Recommended Mounting Distance & Heating Area	6
Tungsten Smart-Heat™ Gas	7
Specifications	8
Dimensions	9
Recommended Installation Clearances	9
Recommended Mounting Distance & Heating Area	10
Smart-Heat Gas Wall Bracket Dimensions	11
Smart-Heat Gas Accessories	12
Ceiling Pole	12
Ceiling Pole Paddle Dimensions	12
Installation Of Ceiling Mount Pole	13
Dual Layer Heat Deflector	14
Platinum Smart-Heat™ Electric	15
Specifications	16
Dimensions	17
Recommended Installation Clearances	17
Mounting Options	18
Tungsten Smart-Heat™ Electric	19
Specifications	20
Dimensions	21
Recommended Installation Clearances	21
Smart-Heat Gas Pre Installation Checklist	22
Maintenance and Care	23

Product Feature Key



Even heat distribution
Heat from the burners is transmitted through a translucent ceramic medium which allows a more effective dispersion of heat.



Wind Resistant
Effective heat guaranteed in windy conditions. (Wind resistance varies between models).



Surface does not glow
Non-glowing heat to blend easily into any environment.



Smart Control System
Simultaneously & instantly switch on heaters from a remote-located switch.



Symmetrical & Balanced Design
Stylish and aesthetically pleasing design.



Recess option
Allows seamless integration into the heating area.



Rotational Mounting Bracket
Heaters come standard with an easy-pivot arm which allows adjustment of heat direction. This provides greater versatility and heat coverage.



Water / Splash Resistant
The heater can sustain splashes of water from all angles and remain on.

PLATINUM SMART-HEAT

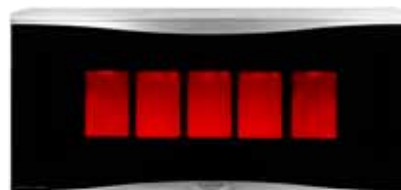
Top quality
performance and
the looks to match

The brushed stainless steel and ceramic medium makes Platinum Smart-Heat™ Gas suitable for the most exclusive commercial or outdoor home environments.

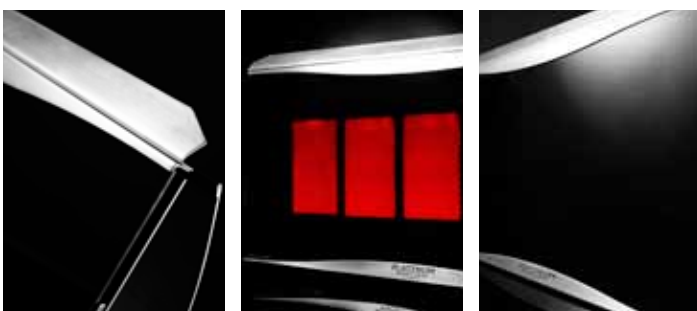
By protecting the tiles behind its translucent ceramic medium, effective heat is guaranteed in winds of up to 18km/h.



Platinum Smart-Heat™ Gas
300 Series
LPG / Natural Gas



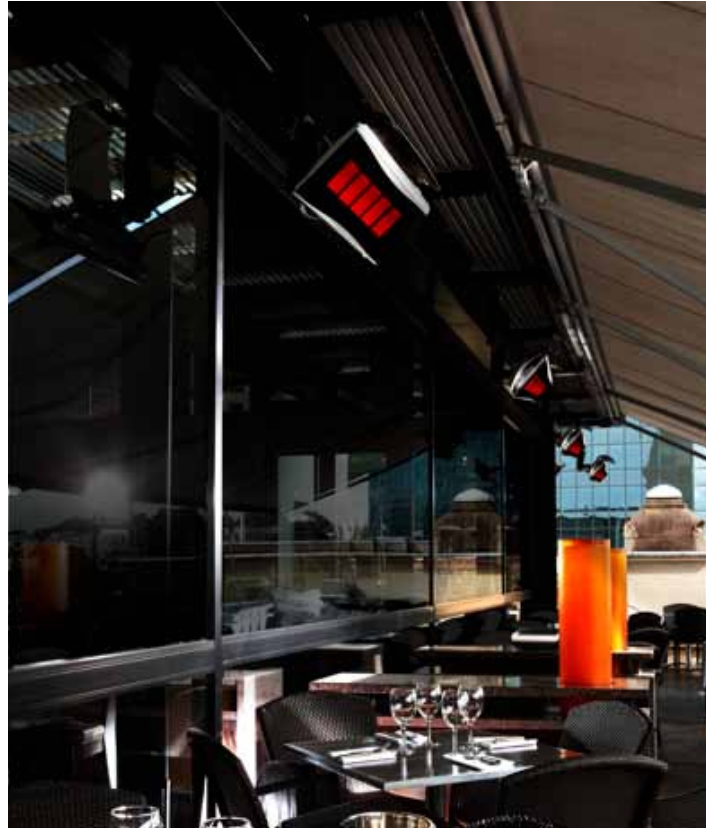
Platinum Smart-Heat™ Gas
500 Series
LPG / Natural Gas




Smart-safety means that electronic controls allow automatic re-ignition if the heater goes out. The integrated flame safety shut-off turns the heater off if it does not re-ignite.

Features

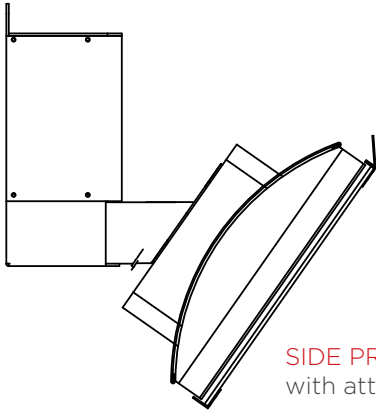
- Full Stainless Steel Construction
- Higher levels of wind resistance. Platinum units are wind resistant to 18km/h.
- Electronic ignition. Can be wired into C-Bus and smart system controls
- Automatic Re-Ignition - In the instance of the unit blowing out, it will attempt to re-ignite.
- Use of a ceramic medium creates the most even levels of heat dispersion.
- Can be run on LPG or Natural Gas
- Available in two sizes a 300 Series (25Mj) and a 500 Series (42Mj)
- Can be wall mounted or ceiling mounted
- Easy Pivot Arm bracket allows for direction of heat to be adjusted providing greater versatility and heat coverage



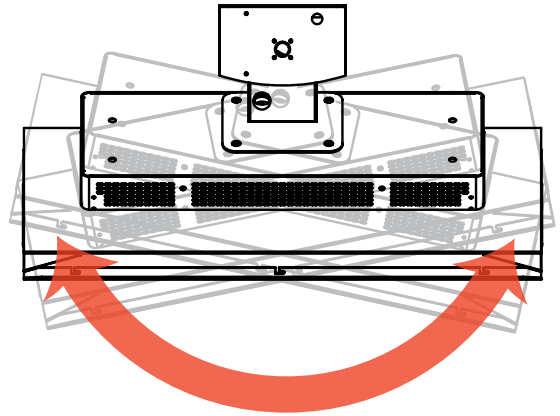
Specifications

PLATINUM SMART-HEAT		300 Series	500 Series
			
Part no.	LPG ^{1,2}	2620130	2620140
	Natural Gas ^{1,2}	2620131	2620141
Heat Deflector part no.		2620165	2620166
Ceiling Poles		5 pole lengths to suit ceiling heights of 3.2, 3.4, 3.6, 3.8 and 4m (contact Bromic Heating for more information)	
Heat Output (on LPG and NG)		25Mj	42Mj
Approximate area heated (m ²)		12m ²	20m ²
Gas connection		3/8" SAE	3/8" SAE
Electrical connection		240 Volt, 3-pin insulated plug	240 Volt, 3-pin insulated plug
Dimension (WxDxHmm)		560 x 382 x 428mm	756 x 382 x 428mm
Min. distance to combustibles materials ² (without heat deflector) ² (with heat deflector) ²		Side: 1100mm	
		Above (to ceiling): 1100mm	
		Above (to ceiling): 350mm	
Mounting height requirement to ground ³		Wall Mount: 2000mm, Ceiling Pole Mount: 2500mm	
Weight (kg)		12.5kg	16.5kg

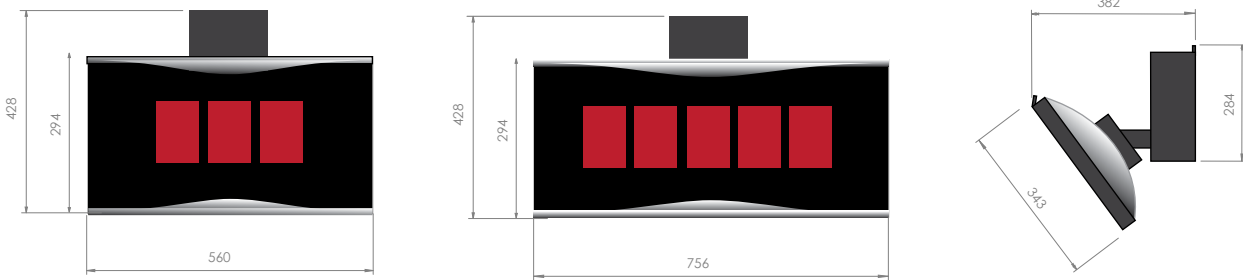
¹Must only be installed by a licensed technician. Must complete "Pre-Installation Checklist" before installing. ²The temperature will not exceed 65°C above the ambient temperature at specified distances. Please consult material manufacturer for temperature ratings and suitability. Bromic Heating takes no responsibility for material compliance. ³Installation must be performed in accordance with AS5601 installation code (or relevant standard) and must comply with any additional jurisdictional requirements. Bromic takes not responsibility for incorrect or non-compliant installations



SIDE PROFILE: Slim and streamlined with attractive black wall bracket

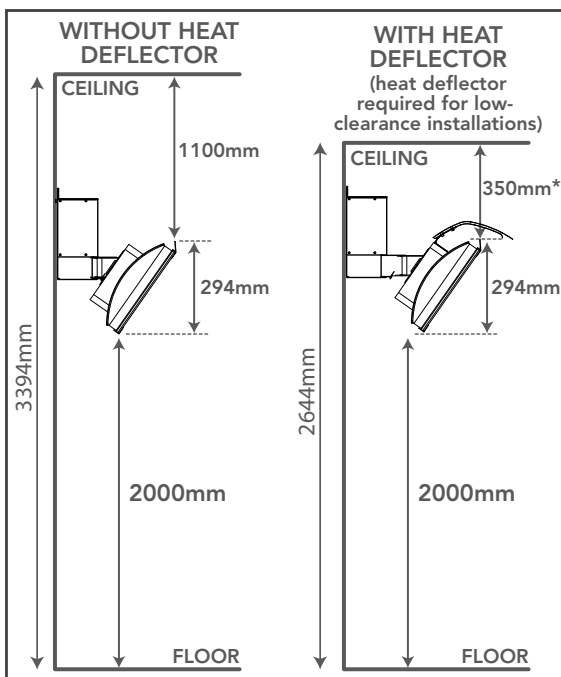


Dimensions (all measurements are in mm)

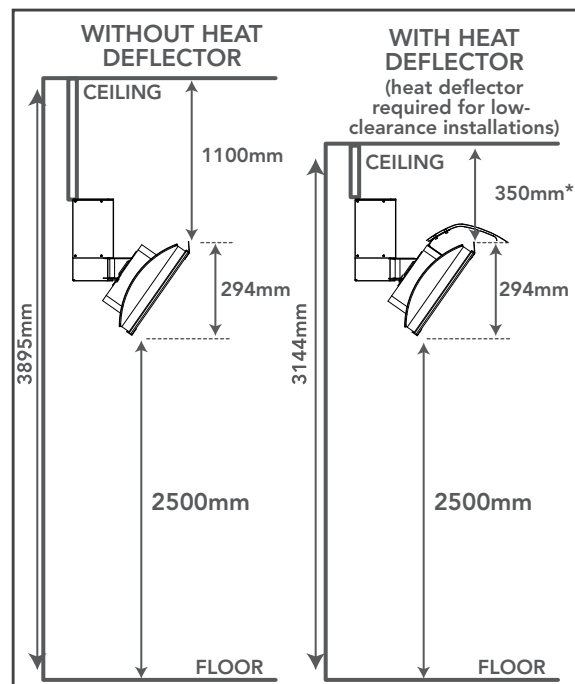


Recommended Minimum Installation Clearances*

OUTDOOR WALL MOUNTING**



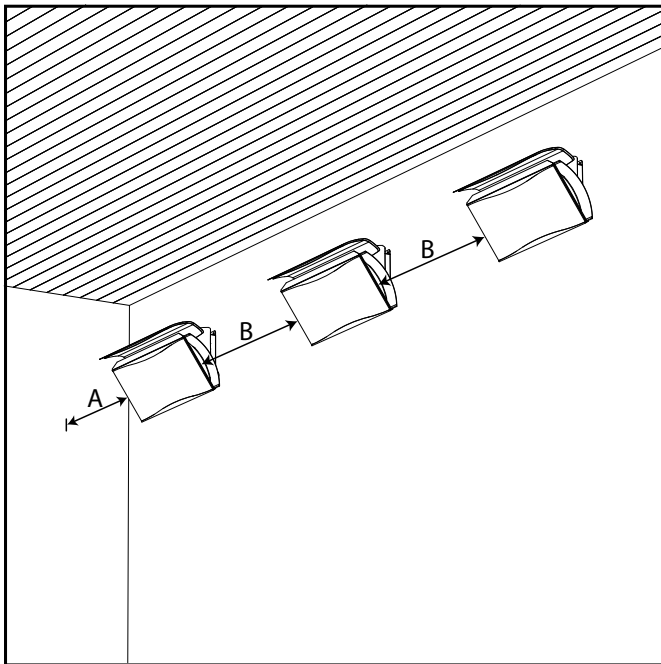
CEILING POLE MOUNTING



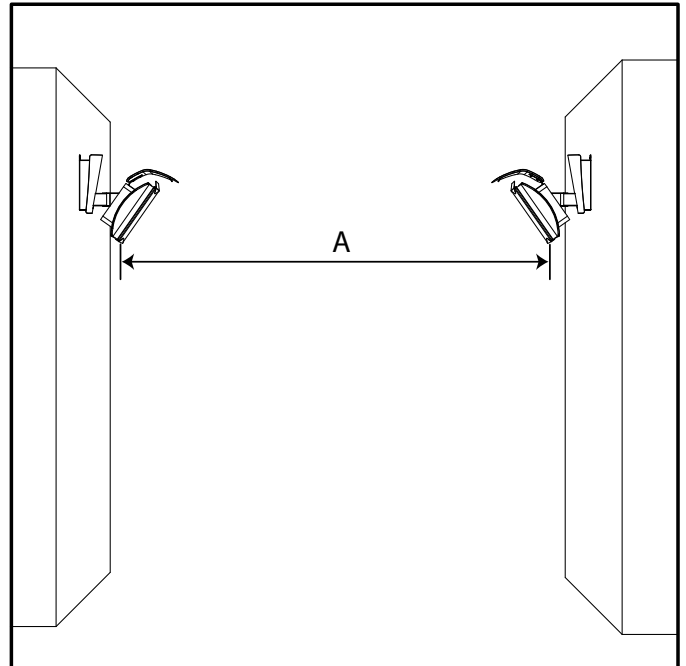
**For indoor wall mounting the distance from the floor must be 2500mm in commercial applications only.

*Installation must be performed in accordance with AS5601 installation code (or relevant standard) and must comply with any additional jurisdictional requirements. Bronic takes not responsibility for incorrect or non-compliant installations.

Recommended Mounting Distance*



Model	A	B
300	1100mm	2500 - 3500mm
500	1100mm	2500 - 3500mm

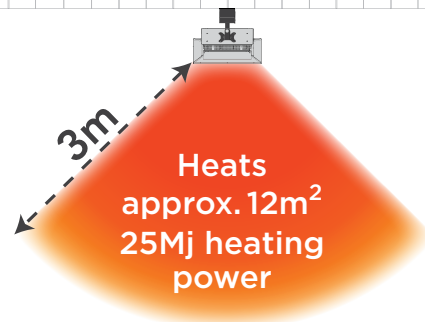
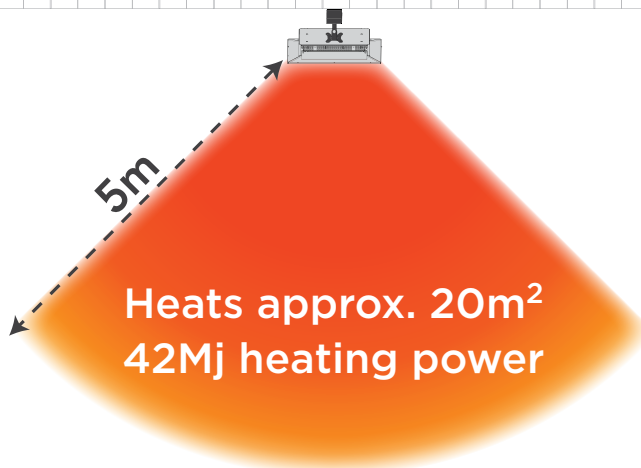
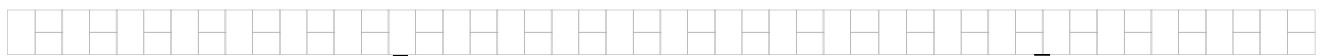


Model	A
300	6000 - 7000mm
500	8000 - 9000mm

Heating Area

500-Series

300-Series

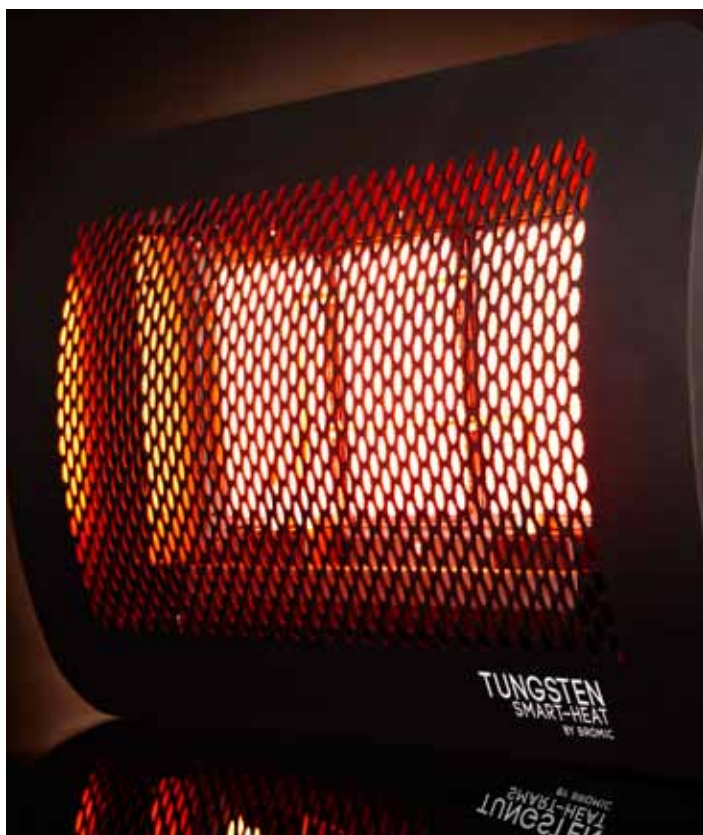


*Dependent upon ambient conditions and exposure of the area. An installation checklist should always be completed and submitted to Bromic Heating prior to installation.

TUNGSTEN SMART-HEAT

A designed, cost-conscious product range that does not sacrifice aesthetics for function

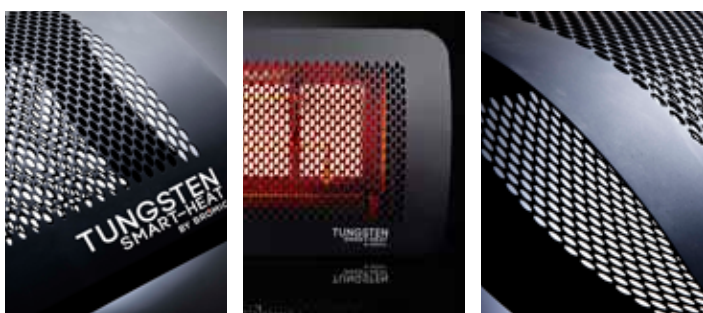
The patented direct ignition system, never before seen on an outdoor gas radiant heater, ensures a reliable start and effective operation, even in winds of up to 12km/h.



Tungsten Smart-Heat™ Gas
300 Series
LPG / Natural Gas



Tungsten Smart-Heat™ Gas
500 Series
LPG / Natural Gas






Stainless steel with high temperature ceramic coating, maximizes long life and durability in tough outdoor environments. A neutral black finish ensures a fit with all decors.

Features

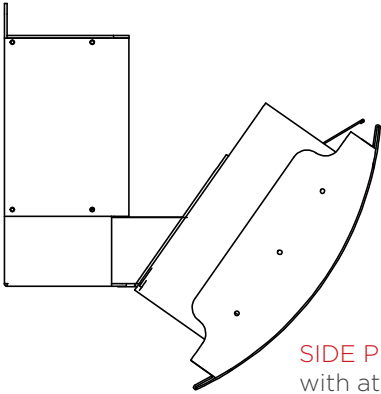
- Full Stainless Steel Construction with special high temperature ceramic coating.
- Higher levels of wind resistance. Tungsten units are wind resistant to 12km/h.
- Electronic ignition - Can be wired into C-Bus and smart system controls
- Automatic Re-Ignition - In the instance of the unit blowing out, it will attempt to re-ignite.
- Can be run on LPG or Natural Gas
- Available in two sizes a 300 Series (25Mj) and a 500 Series (42Mj)
- Can be wall mounted or ceiling mounted
- Easy Pivot Arm bracket allows for direction of heat to be adjusted providing greater versatility and heat coverage



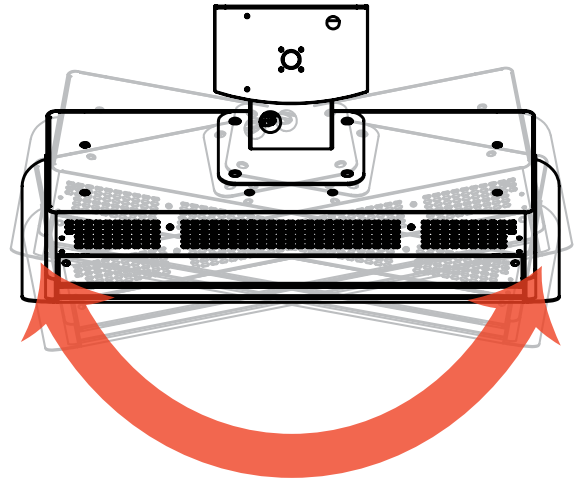
Specifications

		300 Series	500 Series
			
Part no.	LPG ^{1,2}	2620330	2620340
	Natural Gas ^{1,2}	2620331	2620341
Heat Deflector part no.		2620165	2620166
Ceiling Pole		5 pole lengths to suit ceiling heights of 3.2, 3.4, 3.6, 3.8 and 4m (contact Bromic Heating for more information)	
Heat Output (on LPG and NG)		25Mj	42Mj
Approximate area heated (m ²)		up to 12m ²	up to 20m ²
Gas connection		3/8" SAE	3/8" SAE
Electrical connection		240 Volt, 3-pin insulated plug	240 Volt, 3-pin insulated plug
Dimension (WxDxHmm)		490 x 464 x 428mm	646 x 464 x 428mm
Min. distance to combustible materials ² (without heat deflector) ²		Side: 1100mm	
		Above (to ceiling): 1100mm	
(with heat deflector) ²		Above (to ceiling): 350mm	
Mounting height requirement to ground ³		Wall Mount: 2000mm, Ceiling Pole Mount: 2500mm	
Weight (kg)		14kg	18kg

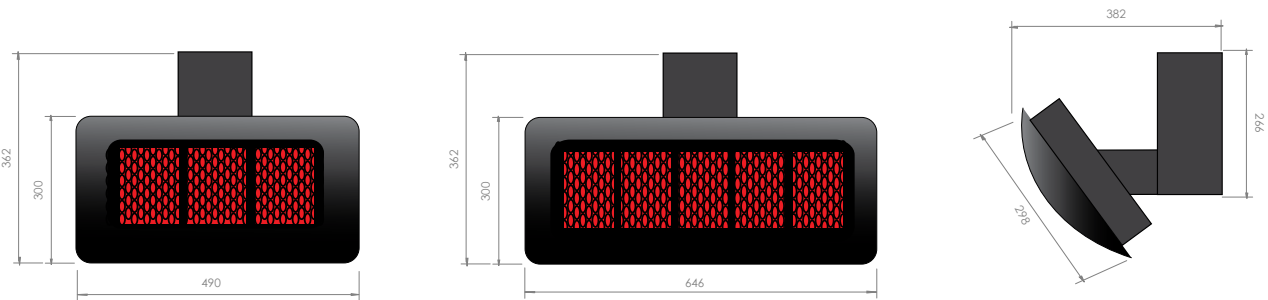
¹Must only be installed by a licensed technician. Must complete "Pre-Installation Checklist" before installing. ²The temperature will not exceed 65°C above the ambient temperature at specified distances. Please consult material manufacturer for temperature ratings and suitability. Bromic Heating takes no responsibility for material compliance. ³Installation must be performed in accordance with AS5601 installation code (or relevant standard) and must comply with any additional jurisdictional requirements. Bromic takes not responsibility for incorrect or non-compliant installations



SIDE PROFILE: Stylish curved design with attractive black wall bracket

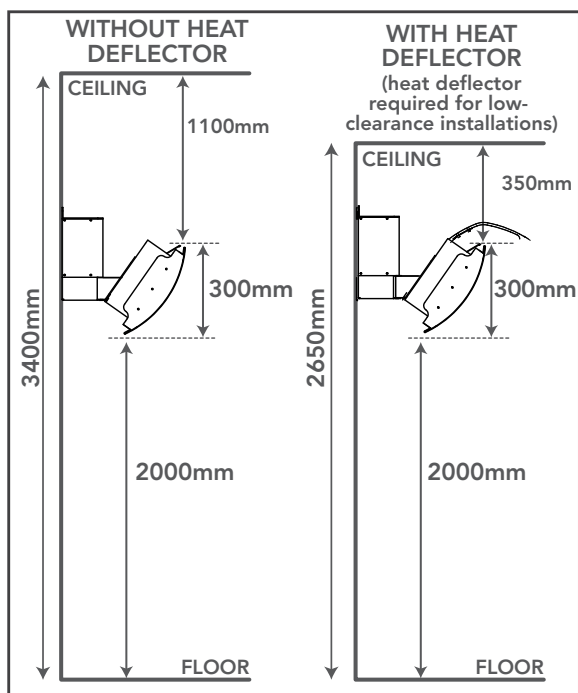


Dimensions (all measurements are in mm)

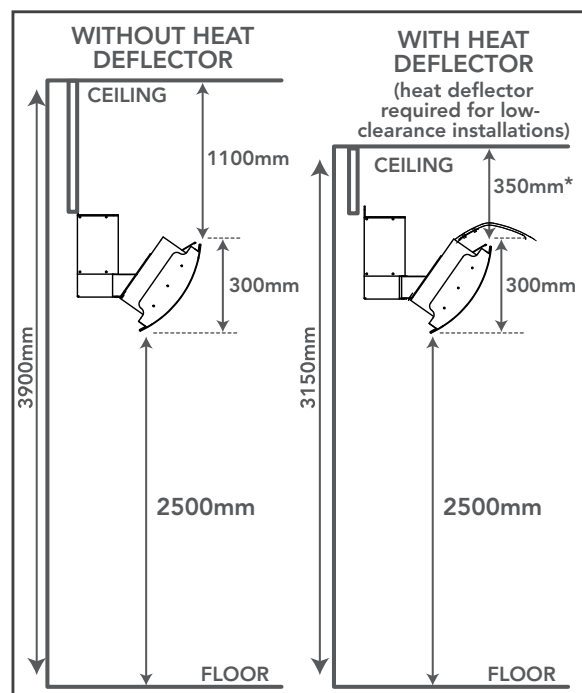


Recommended Minimum Installation Clearances*

OUTDOOR WALL MOUNTING**



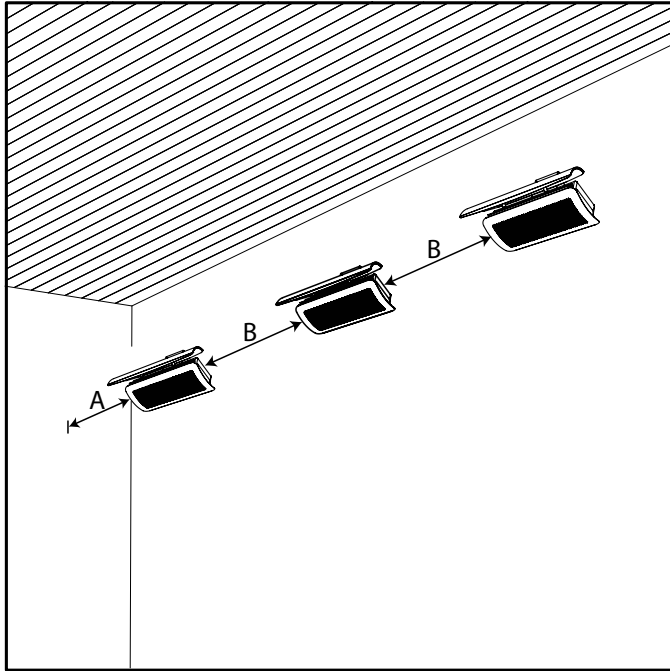
CEILING POLE MOUNTING



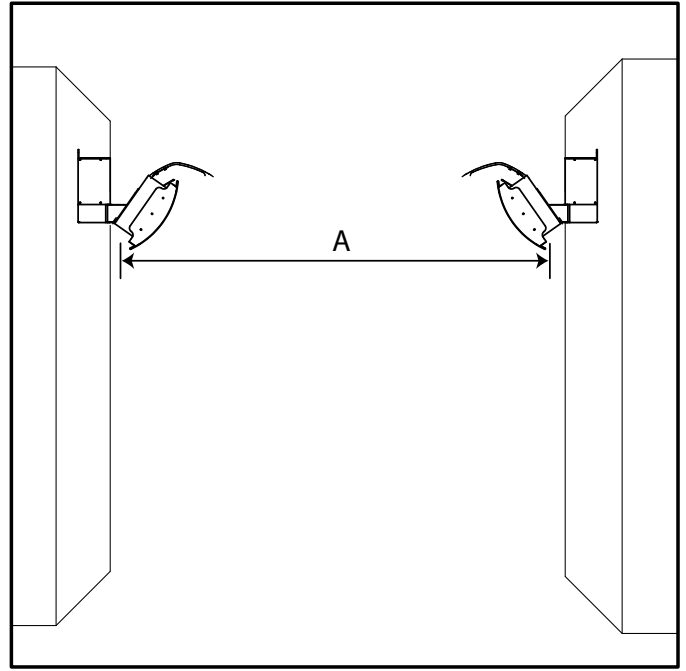
**For indoor wall mounting the distance from the floor must be 2500mm in commercial applications only.

*Installation must be performed in accordance with AS5601 installation code (or relevant standard) and must comply with any additional jurisdictional requirements. Bromic takes not responsibility for incorrect or non-compliant installations.

Recommended Mounting Distance*



Model	A	B
300	1100mm	2500 - 3500mm
500	1100mm	2500 - 3500mm

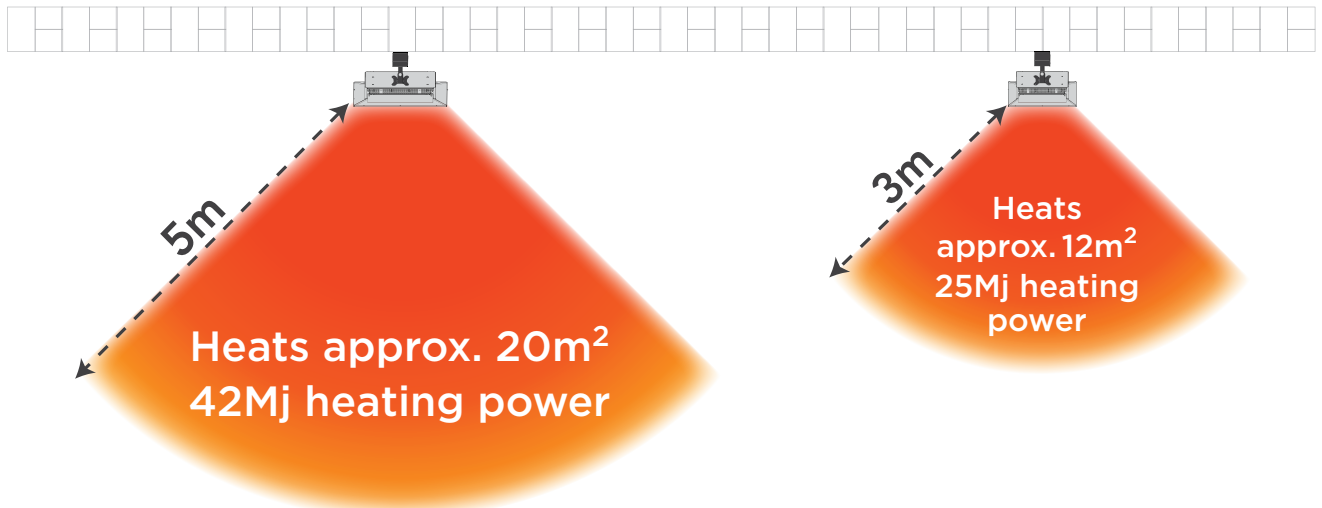


Model	A
300	6000 - 7000mm
500	8000 - 9000mm

Heating Area

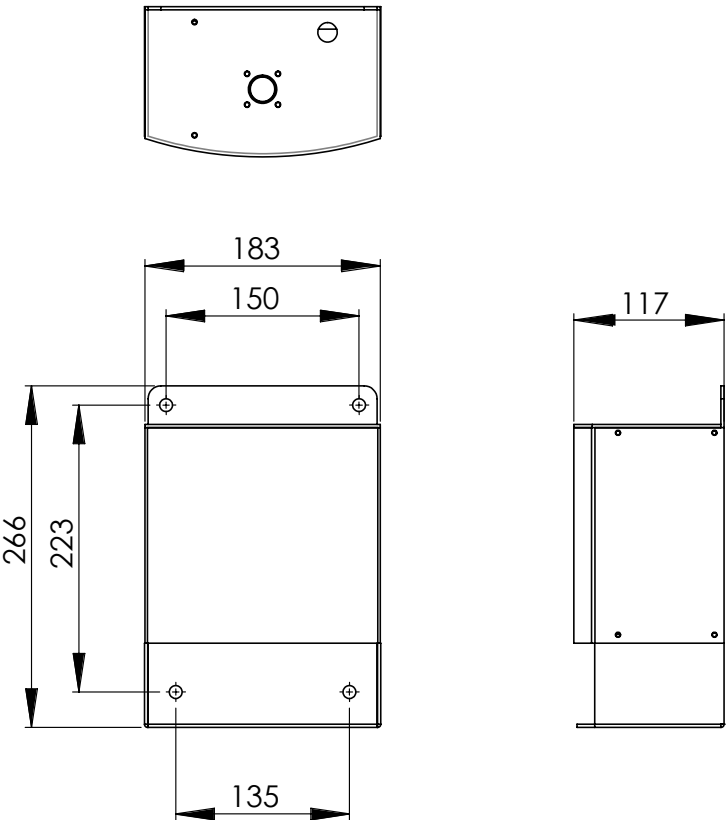
500-Series

300-Series



*Dependent upon ambient conditions and exposure of the area. An installation checklist should always be completed and submitted to Bromic Heating prior to installation.

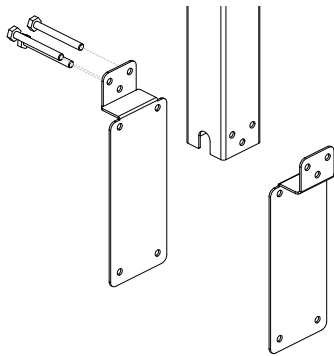
Smart-Heat Gas Wall Bracket Dimensions



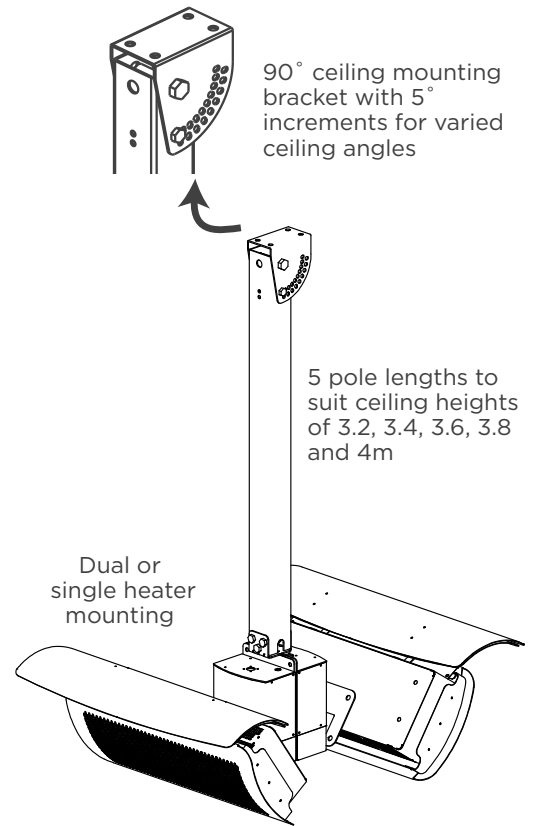
Accessories for Smart-Heat Gas Heaters*

Ceiling Pole

- The ceiling mount pole offers;
 - Dual or single heater mounting
 - 5 lengths to suit ceiling heights of 3.2m, 3.4m, 3.6m, 3.8m and 4m
 - Adjustable mounting bracket to suit most installations

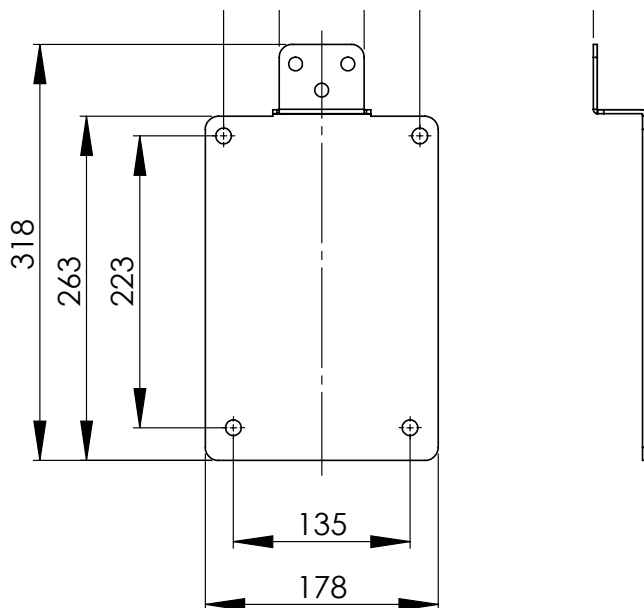


Ceiling Pole Paddles: Ceiling Pole Paddles must be placed with flat facic facing each other as per diagram.

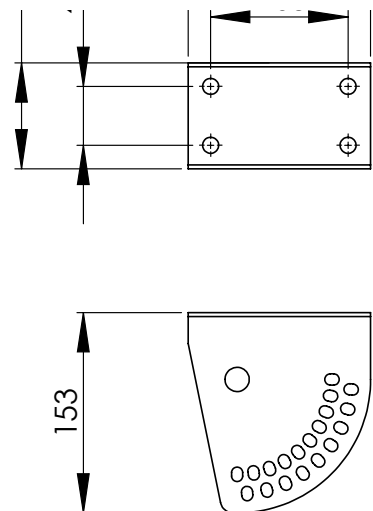


Dimensions

CEILING POLE PADDLES



CEILING POLE MOUNTING BRACKET



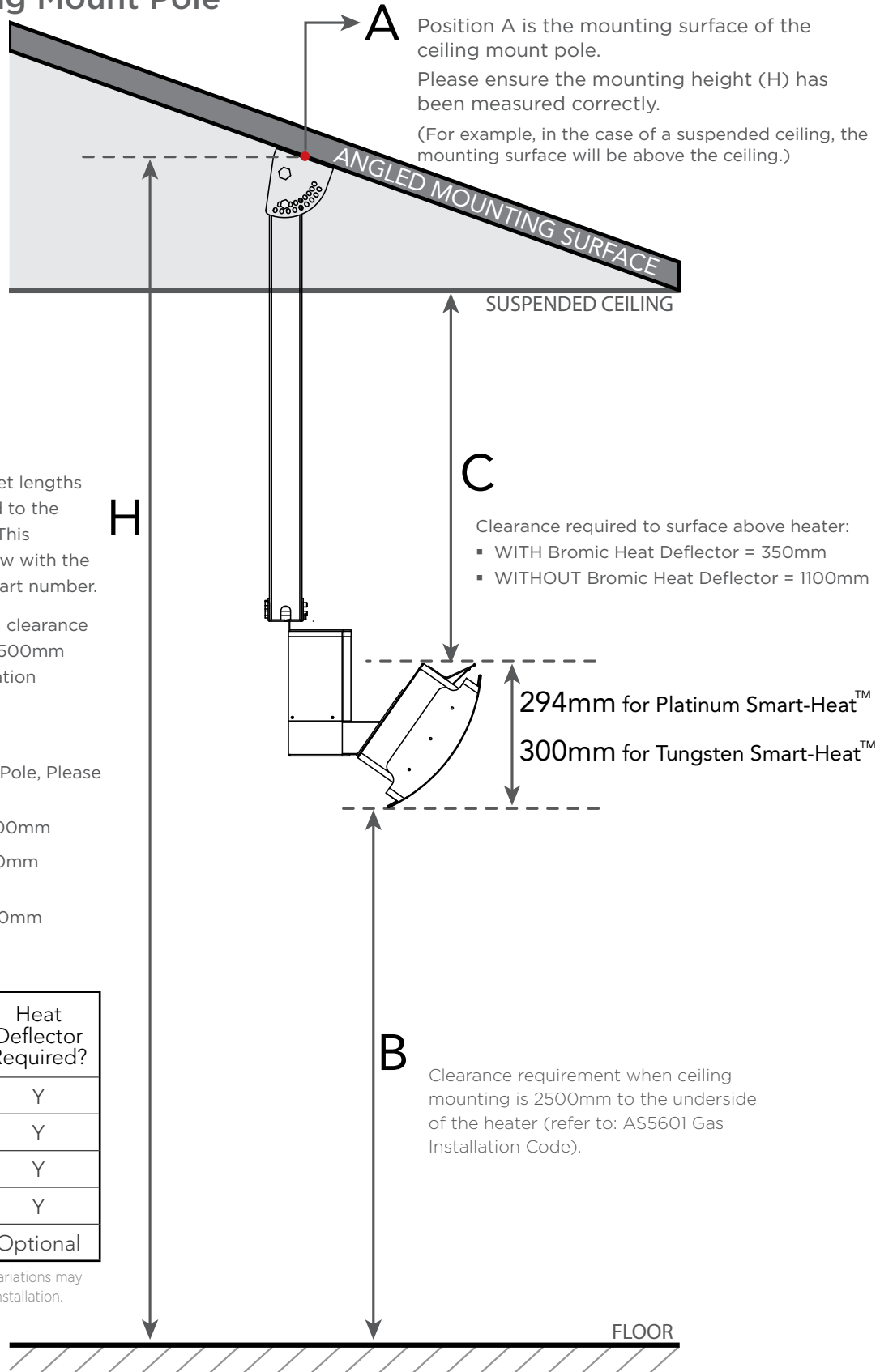
Accessories for Smart-Heat Gas Heaters* Continued

Installation of Ceiling Mount Pole*

Our ceiling poles cater for varying ceiling heights and angles.

This diagram illustrates one possible scenario where the mounting surface is angled, and a suspended ceiling is present.

If you have any questions please contact us on +61 2 9748 3900 or info@bromicheating.com



Each Pole is manufactured to allow a clearance below the heater (Dimension B) of 2500mm in accordance with Australian installation requirements.

IMPORTANT:

When Selecting your Bromic Ceiling Pole, Please ensure that:

- Dimension B is no smaller than 2500mm
- Dimension C is no smaller than 350mm (with heat deflector)
- Dimension C is no smaller than 1100mm (without heat deflector)

Dimension H* (mm)	Bromic Part No.	Heat Deflector Required?
3200	2620182	Y
3400	2620184	Y
3600	2620186	Y
3800	2620188	Y
4000	2620190	Optional

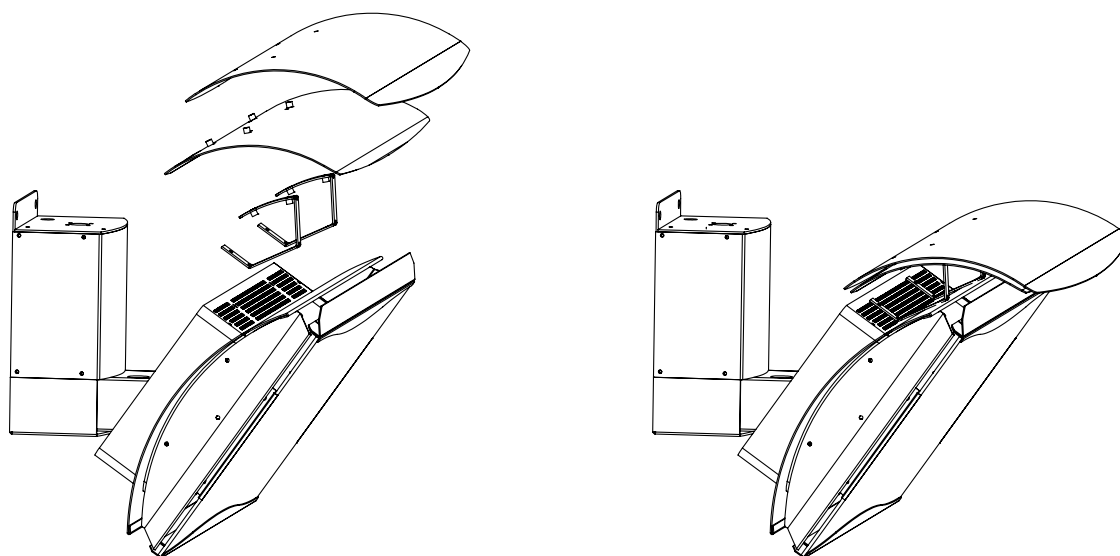
*Dimensions provided are nominal only. Slight variations may occur. All dimensions must be checked during installation.

*Bromic is not responsible for assuring compliance with jurisdictional codes and regulations governing construction, installation and/or use of the heating products and cannot be responsible for how the product is installed or used. Before purchase and use of the product, it is the responsibility of the owner/purchaser to review the product application and all applicable national and local codes and regulations governing the installation and use of such heating products and to seek advice from relevant technical persons.

Accessories for Smart-Heat Gas Heaters* continued

Dual-layer Heat Deflector

- The heat deflector allows for low clearance installations.
- Stainless steel
- Dual Layer to ensure minimum clearance height
- Provides additional protection from the rain



*Please note that accessories do not come standard with heaters

PLATINUM SMART-HEAT

Soft, radiant heat
and an ultra-thin
design

Non-glowing - the Platinum Smart-Heat™ Electric complements the atmosphere of any home or commercial environment.



Platinum Smart-Heat™ Electric
1500W



Wind and weather resistant, the Platinum Smart-Heat™ Electric provides soft, radiant heat. One or more heaters can be switched on and off simultaneously from a single remote-located switch.

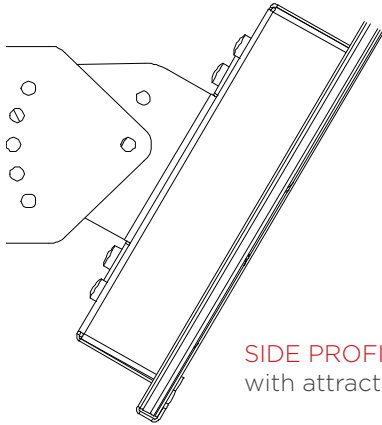
Features

- 1500W Output
- Ultra Thin and Stylish
- Efficient Directional Spot Heating
- Bracket allows for 60 degrees of motion top to bottom
- Weather resistant (IPX 5) and wind resistant
- Can be integrated into smart control systems. One or more units can be switched on and off simultaneously from a single remote located switch.
- Multiple Mounting Options – Wall, Ceiling, Pole Suspended, Chain Suspended and Recessed (Flush Mounted).



Specifications

<p style="text-align: center;">PLATINUM SMART-HEAT</p>	
Part no.*	2620230
Heat Output (Watts)	1500W
Finish	High-temperature Coating
Power connection (Volts/Amps)	240V /6.5Amp
Dimensions excluding bracket WxHxDmm	960 x 162 x 40mm
Approx. Weight (kg)	6.2kg
<p><i>*Must only be installed by a licensed technician</i></p>	



SIDE PROFILE: Slim and streamlined with attractive black face

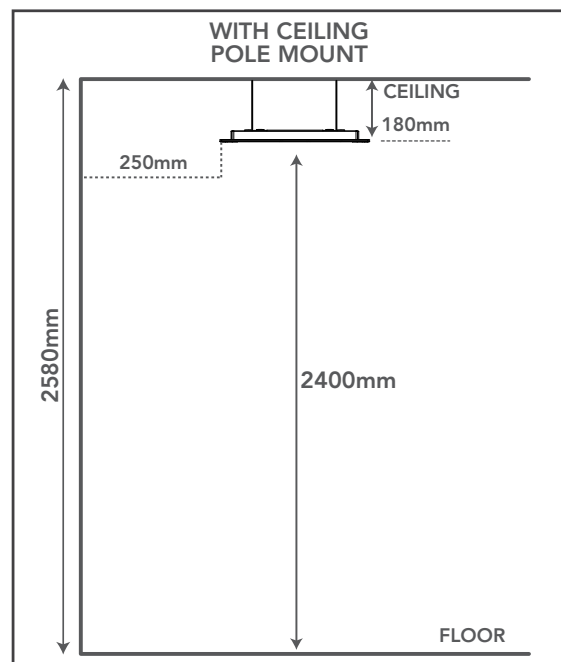
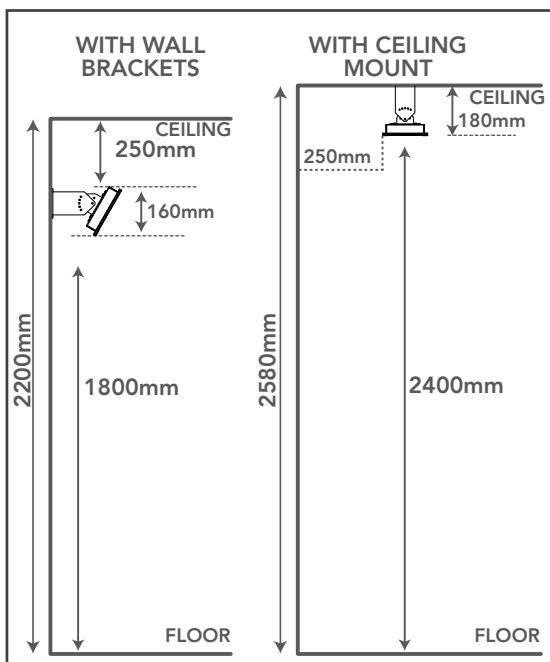
Dimensions (all measurements are in mm)



Recommended Minimum Installation Clearances

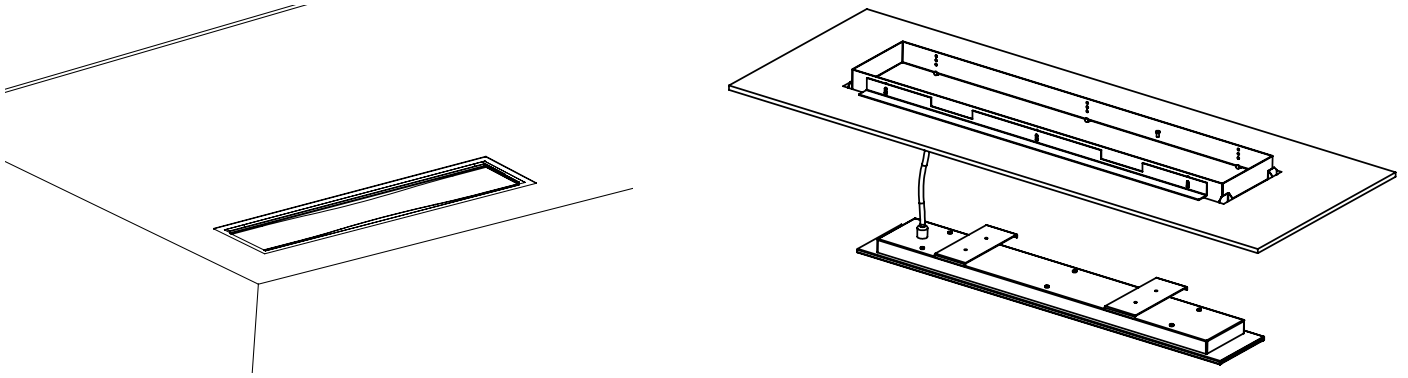
WALL & ROOF MOUNTING

CEILING POLE MOUNTING

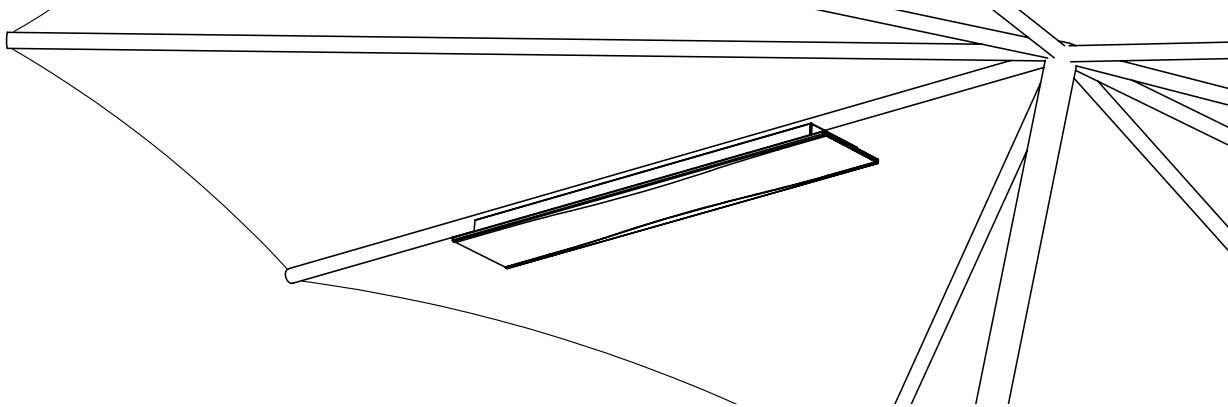


Multiple Mounting Options

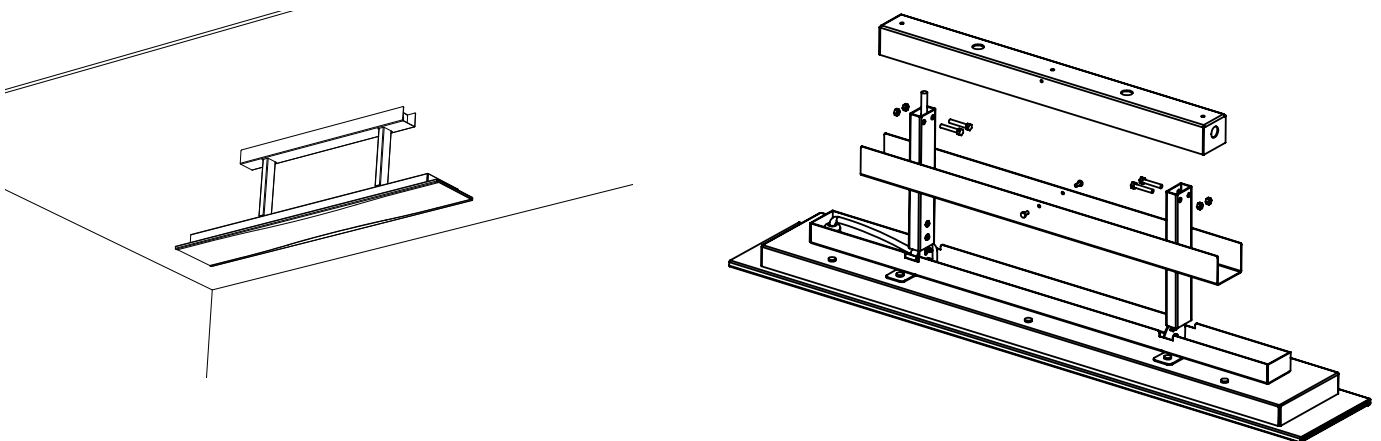
Recessed Mounting



Umbrella Kit



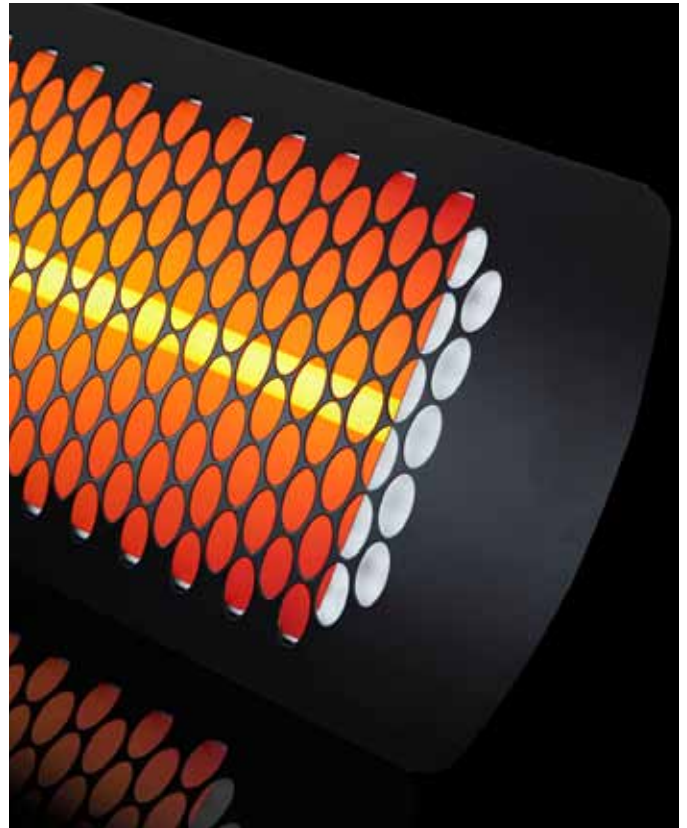
Ceiling Pole Suspended



TUNGSTEN SMART-HEAT

An infrared electric heater blending aesthetics and function

It's stylishly designed provides efficient directional heating, compatible with smart control systems to enable precise dimming control with it's simple one-touch on/off switch.



Tungsten Smart-Heat™ Electric
2000W



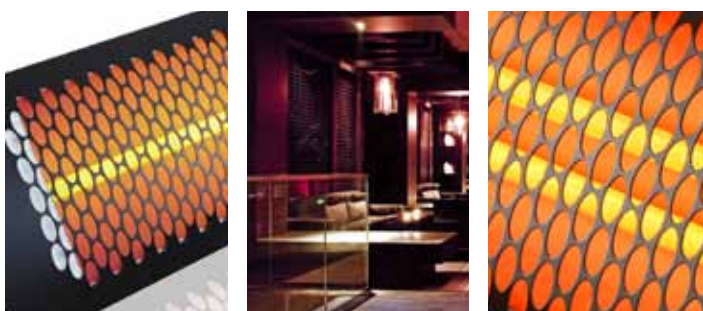
Tungsten Smart-Heat™ Electric
3000W



Tungsten Smart-Heat™ Electric
4000W



Tungsten Smart-Heat™ Electric
6000W






Water / splash resistance, the Tungsten Smart-Heat™ Electric works in almost any weather condition. The swivel bracket allows the heat to be directed in the desired location. It's equipped with a spectral reflector for excellent radiant heat output.

Features

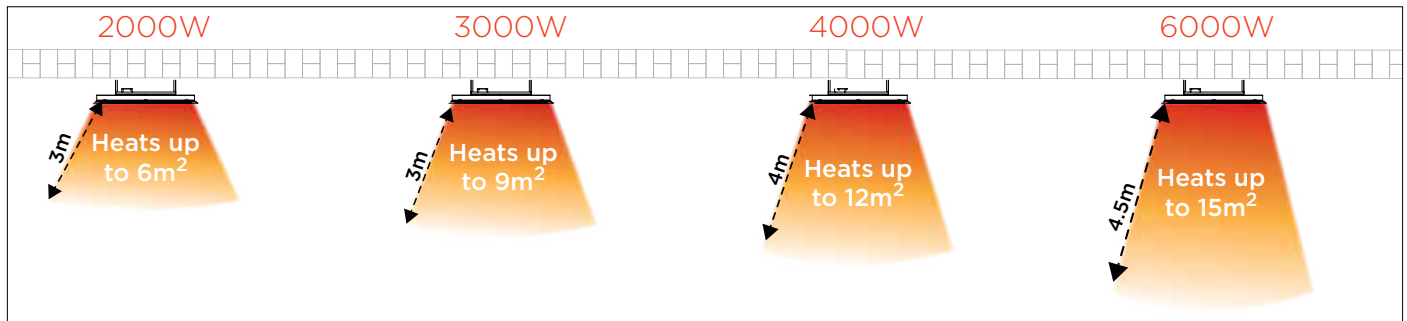
- Available in 2000W, 3000W, 4000W and 6000W models
- Frosted infrared tube heating elements emit warm amber glow - No harsh glare.
- High temperature corrosion-resistant coating.
- Tamper-proof electrical wiring enclosure
- Wall & ceiling mounting options allow for adjustable angle of the heating direction.
- Patent Pending & Australian Registered Design 338721



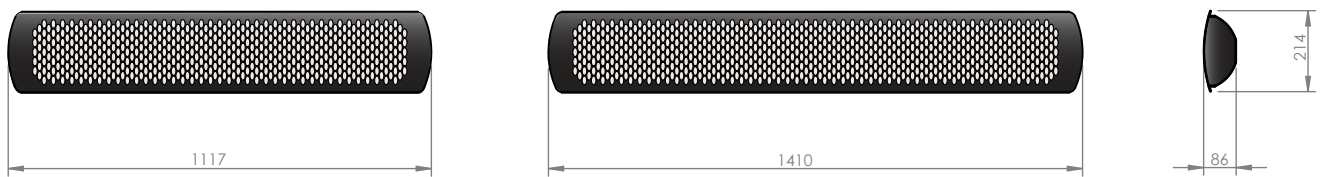
Specifications

				
	2000W	3000W	4000W	6000W
Model	2000W	3000W	4000W	6000W
Part no.	2620212	2620213	2620214	2620215
No. of Elements	Single element	Single element	Double element	Double element
Bracket Length	164mm	164mm	244mm	244mm
Power (Watts)	2000W	3000W	4000W	6000W
Approximate area heated (m ²) (Mounting height of 2400mm)	up to 6m ²	up to 9m ²	up to 12m ²	up to 15m ²
Power connection required (Volts/Amps)	230 V / 8.3 A	230 V / 12.5 A	230 V / 16.6 A	230 V / 25 A
Dimension (WxDxHmm)	1117 x 214 x 86mm	1410 x 214 x 86mm	1117 x 214 x 86mm	1410 x 214 x 86mm
Minimum Mounting height requirement to ground	Ceiling Mounting - 2400mm / Wall Mounting - 1800mm			
Weight (kg)	9kg	10kg	9kg	10kg
Finish	Black High Temperature Coating			
<p>*Must only be installed and serviced by a licensed and authorised technician. Product manual must be read before installing or servicing this product.</p>				

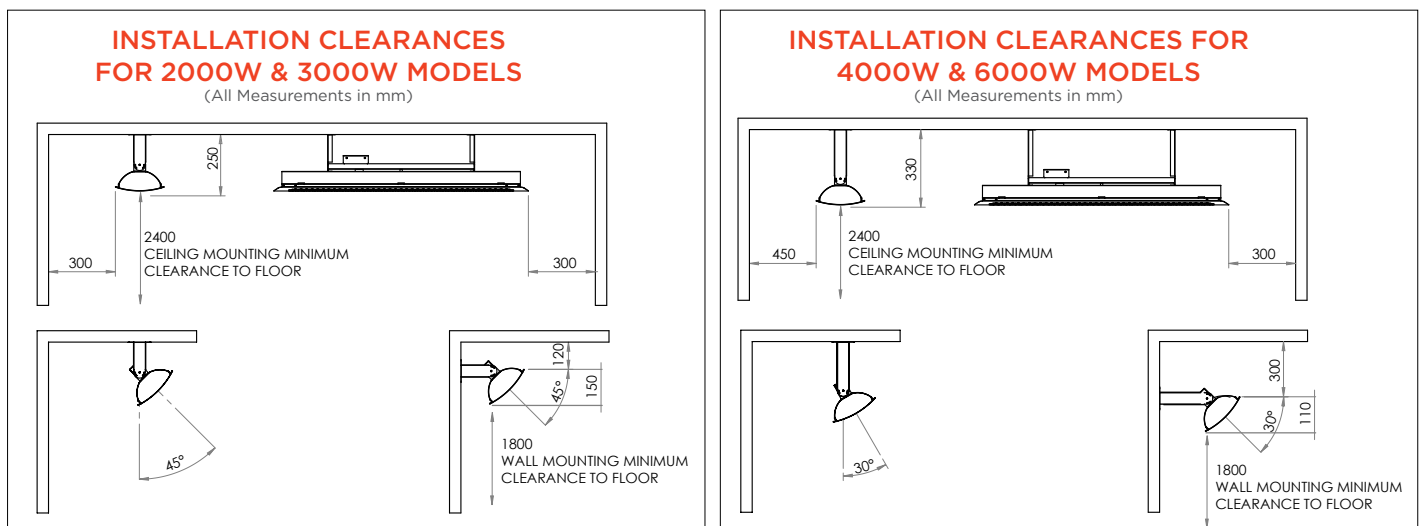
Heating areas (assumed mounting height of 2400mm)



Dimensions (all measurements are in mm)



Recommended Minimum Installation Clearances



*Alternatively, short mounting brackets can be used for wall mounting of the 4000w & 6000w models to position the heater closer to the wall. Short mounting brackets must be purchased separately.

Pre-Installation Checklist for Gas Heater

Business Name:

Date: dd / mm / yyyy

Site Address:

Suburb:

State: Postcode:

Contact Name:

Position:

Ph: () Fax: ()

Mobile:

How did you hear about our heaters?

Magazine Name:

Internet Website:

Word of Mouth

Newspaper Name:

Directory Name:

Salesperson

Purchased from us before

Seen on location Where:

Other (please specify):

Gas Type (please tick): NG LPG
 (i.e. does the gas come to the premises via bottles [LPG] or pipes [NG])

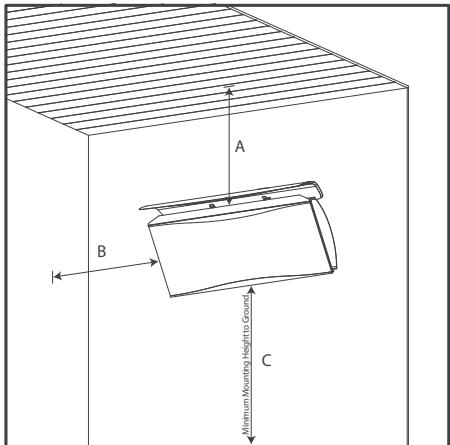
Application (please tick):
 Commercial Domestic

Description (eg. hotel):

Area dimensions (metres):
 Length: Width:
 Ceiling Height:

CLEARANCES:

Clearance requirements for 3-tile & 5-tile heaters are as follows:
 (Note: adequate clearance must be directly above the heater)



A) CLEARANCE WITHOUT COVER:

Minimum distance to combustible materials:

No. of tiles	A	B	C
Tungsten and Platinum Smart-Heat			
3-Tile	1100mm	1100mm	2000mm*
5-Tile	1100mm	1100mm	2000mm*

*Bromic recommends a minimum installation clearance of 2000mm for best function and safety. Minimum clearance defined under Australian Gas Installation Code AS5601-2012 is stated as 1800mm.

B) CLEARANCE WITH COVER:

Minimum distance to combustible materials:

No. of tiles	A	B	C
Tungsten Smart-Heat			
3-Tile	350mm	1100mm	2000mm*
5-Tile	350mm	1100mm	2000mm*
Platinum Smart-Heat			
3-Tile	350mm	1100mm	2000mm*
5-Tile	350mm	1100mm	2000mm*

*Bromic recommends a minimum installation clearance of 2000mm for best function and safety. Minimum clearance defined under Australian Gas Installation Code AS5601-2012 is stated as 1800mm.

Is the heater adequately covered? Y N
 (i.e. shielded from rain)

Is a protective cover required? Y N
 (cover may be required for environmental protection OR because of lower ceiling height)

Have site plans & digital photos been provided? Y N

(NOTE: in order to more accurately review your heating requirements and provide a valid recommendation, a dimensioned plan and elevation views are required. Please also provide digital photos of the area. If site plans not available, draw a sketch of the area showing all elevation views and open areas. Please include an appropriate scale.)

Do you require a:
 Ceiling Mount OR Wall Mount

IF CEILING MOUNT:

Pole length required (standard = 1500mm):

Ceiling material type:

IF WALL MOUNT:

Wall construction (wall material type)

Are there any wall obstructions? Y N
 (eg. speakers, TV, camera, lighting etc...)

Please describe briefly:

Will the bracket be mounted directly on the wall? Y N

(any additional mountings [eg. angle mount bracket / pole] are the responsibility of the installer)

Is adequate power available? Y N
 (each heater requires 240V power and draws no more than 1A).

Does the site have existing plumbing for LPG or Natural Gas? Y N

Signature of authorised person:

Name:

Position:

Email:

Date: dd / mm / yyyy

The installer/user must comply with local gas fitting regulations, municipal building codes, electrical wiring regulations, and any other relevant statutory regulations.

PLEASE PHOTOCOPY, COMPLETE, & SEND THIS CHECKLIST BY:
 BY MAIL TO Bromic Heating, 1 Suttor Street, Silverwater NSW 2128 Australia
 or SCAN AND SEND BY EMAIL TO info@bromicheating.com

Maintenance and Care:

GAS:

The heaters are constructed using stainless steel and high temperature coated paint to help ensure maximum life in the outdoor environment. To maximize the life of the heater it is important that frequent cleaning is performed and appropriate care is taken.

Bromic recommends the following:

Always install with the corresponding Bromic heat shield and clean according to Bromic instructions. Clean the heater weekly during regular use and at least monthly when not in use. In a salt-air environment, such as near the ocean, cleaning is recommended more frequently. Heaters must not be cleaned with cleaning products that are combustible or corrosive.

Over prolonged use may cause slight discolouration of painted surfaces. This is normal and does not effect the operation of the appliance. Bromic uses specialised high temperature paints and as such re-painting should not be attempted. Replacement parts can be purchased to restore the heater to its original appearance from Bromic Pty Ltd. (Refer to parts list in manual).

ELECTRIC HEATERS:

- Ensure there is no excessive build-up of dirt/dust on the reflector surfaces of the heater.
- Ensure heater is not on ,cool to touch and wipe off any dirt/dust with a soft & dry cloth

Servicing (as per Maintenance & Care)

Bromic outdoor radiant heaters require regular servicing to maintain efficient operation. The heaters are used on a cyclical basis however are exposed to the external elements continuously (both during periods of use and whilst remaining idle). Regular servicing is therefore required to ensure trouble free operation. All maintenance should be carried out ONLY by authorised service personnel. Servicing is recommended at the commencement of each winter season and more frequently in adverse conditions Please refer to the installation manual for the standard Bromic servicing instructions.

Warranty

Heating product	Warranty
Platinum gas heaters	12 months parts & labour
Tungsten gas heaters	12 months parts & labour
Platinum electric heaters	12 months replacement
Tungsten electric heaters	12 months replacement

For full warranty conditions, please refer to the back page for the installation instruction and service manual for each heater or contact our customer service team on

HEAD OFFICE: 1 Suttor Street, Silverwater, Sydney NSW 2128 Australia HEAD OFFICE POSTAL: PO Box 6062, Silverwater, Sydney NSW 1811 Australia T: 1300 276 642 (within Australia) OR +61 2 9748 3900 F: +61 2 9748 4289
E: info@**bromic**heating.com W: www.**bromic**heating.com

Due to the nature of the printing process, colors shown in illustrations and photographs may vary from the actual product. Bromic Heating Pty Ltd reserves the right to change all drawings, figures and specifications without further notice. Check with your local government and state authority for applicable standards for installation and operation. All heaters must be installed by a licensed technician (gas and electric). Gas heaters must be installed in outdoor locations only. AUS Volume 2